

# Protective Covers



SD SERIES PUSH ON



SD SERIES FLIP OPEN



LOTO FLIP COVER  
(can be used on both  
SD & HD Series)

## DESCRIPTION

Protective covers shield the lock cylinder and key from adverse environmental conditions such as moisture, dirt, and sleet. The protective covers also protect the key from accidental damage. We highly recommend protective covers for outdoor installations.

**SD Series Push On:** The push on protective cover can be placed over the lock cylinder when the key is in the held position or removed. One end of the protective cover chain is attached to the top of the protective cover and serves to retain the cover when removed. The other end has a mounting ring, which is secured under a mounting bolt head. The flip open protective cover is made from stainless steel.

On a multi-cylinder interlock, all of the push on protective covers are tethered together and secured with a single mounting ring for your convenience.

**SD Series Flip Open:** The flip open protective cover is hinged and is held closed with spring tension. It is designed to protect the lock cylinder and key regardless of the position of the key. The flip open protective cover is attached to the lock cylinder with a stainless steel set screw. The flip open protective cover is made from stainless steel.

**LOTO FLIP COVER (can be used on both SD & HD Series):** The HD LOTO protective cover is hinged and held closed with spring tension. It is designed to protect the lock cylinder when the key is removed. The flip open protective cover is attached to the lock cylinder with a stainless steel set screw. The flip open protective cover is made from 316 stainless steel.

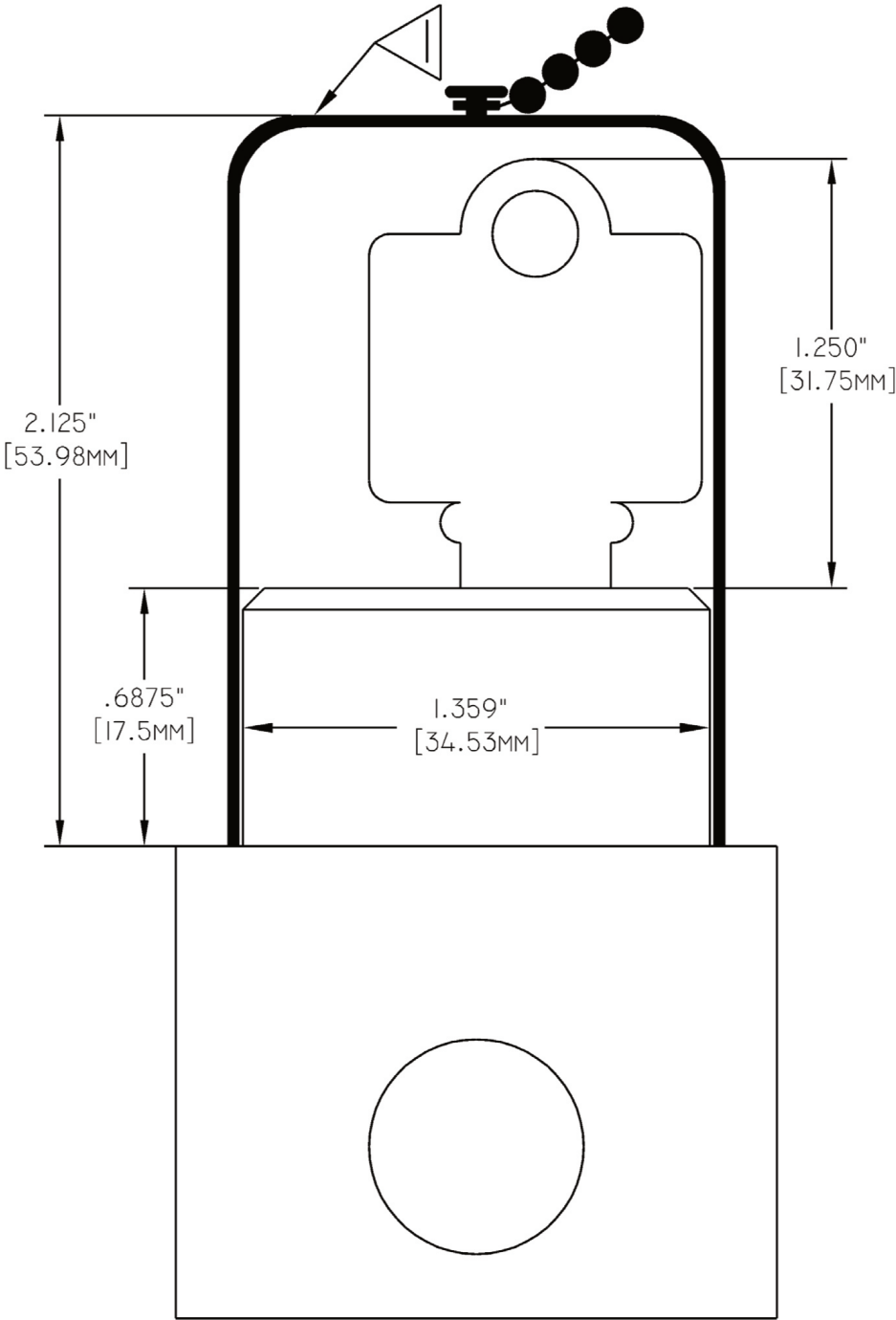
# Protective Covers



## DRAWING

Dimensions: in inches

### SD Series Push On



**NOTES:**  
1) Outline of push on protective cover.

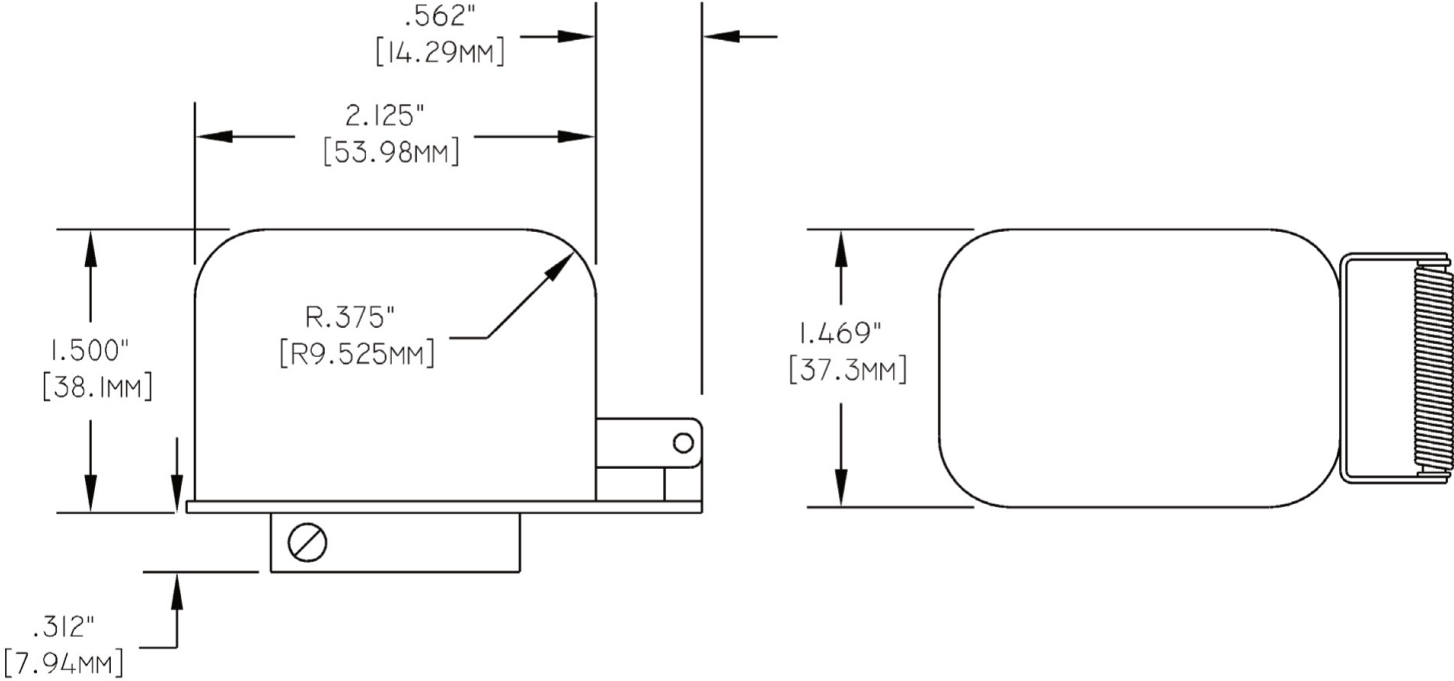
# Protective Covers



## DRAWING

Dimensions: in inches

### SD Series Flip Open Cover



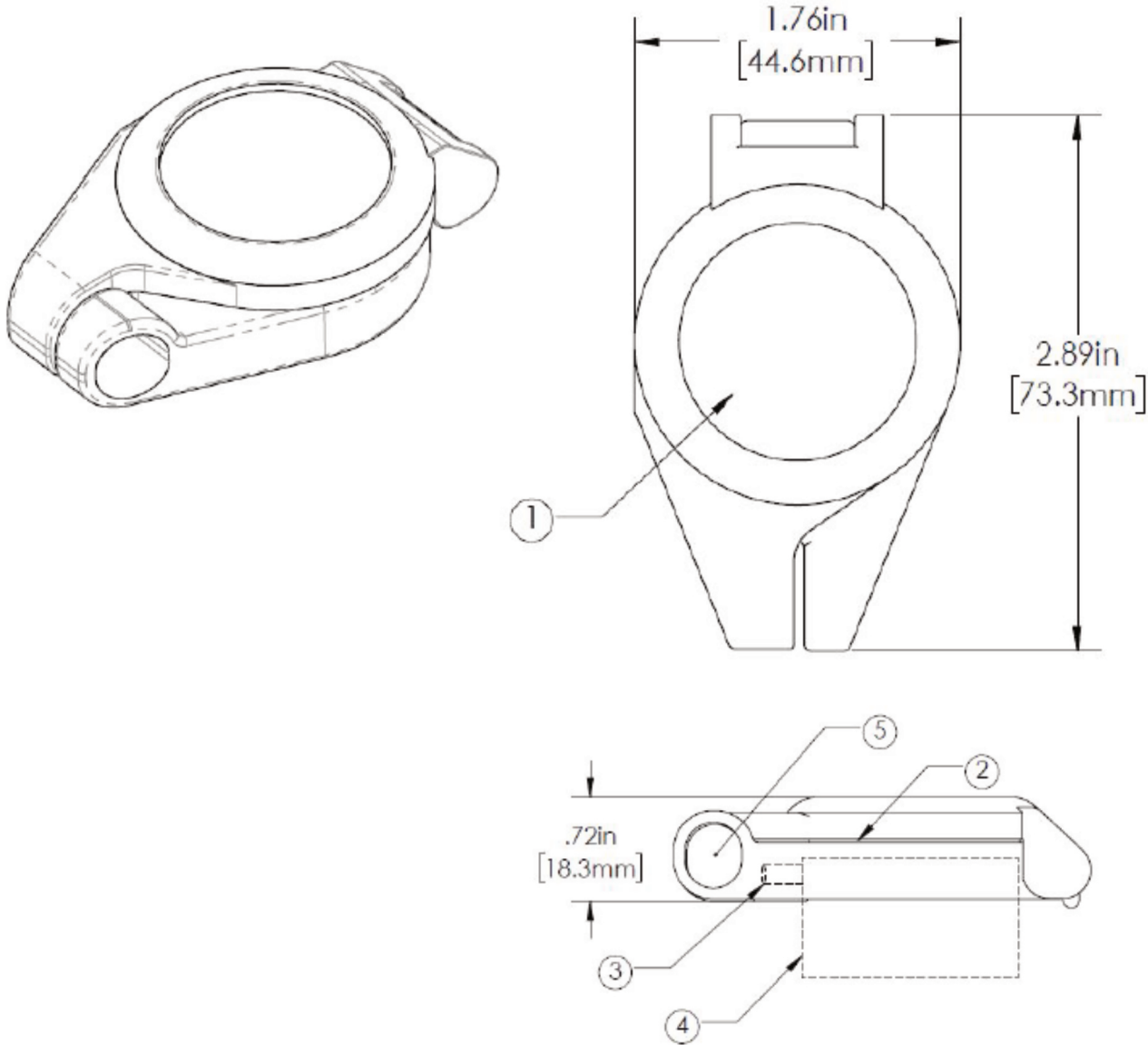
# Protective Covers



## DRAWING

Dimensions: in inches

### LOTO FLIP COVER (can be used on both SD & HD Series)



#### Notes:

- 1) Optional key interchange marking.
- 2) Gasket.
- 3) Mounting set screw.
- 4) Lock cylinder.
- 5) Locking Point.

# Protective Covers



## ORDER INFORMATION



SD SERIES PUSH ON

To order the push on protective cover put the letter "C" in the appropriate column of the interlock part number. Reference part number when ordering separately.

Part number

2	3	4	7	2	9	5	0	1
---	---	---	---	---	---	---	---	---



SD SERIES FLIP OPEN

To order the flip open protective cover put the letter "F" in the appropriate column of the interlock part number. Reference part number when ordering separately.

Part number

F	C	5	0	1
---	---	---	---	---



LOTO FLIP COVER  
(can be used on both  
SD & HD Series)

To order the flip open protective cover put the letter "F" in the appropriate column of the interlock part number. Reference part number when ordering separately.

Part number

5	0	3	0	6	6	0	0	1
---	---	---	---	---	---	---	---	---

## CONTACT INFORMATION

### The Kirk Key Interlock Company LLC

9048 Meridian Circle NW North Canton, OH 44720, USA

Toll Free: +1 800-438-2442 O: +1 234-209-9301 F: +1 330-497-4400

Quotes & Inquiries [sales@kirkkey.com](mailto:sales@kirkkey.com) PO Submission & Orders [orders@kirkkey.com](mailto:orders@kirkkey.com)