



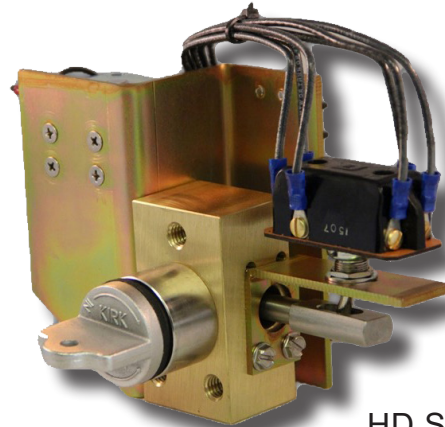
SPECIFICATION DATA SHEET

TYPE SKRU - SOLENOID KEY RELEASE UNIT

WWW.KIRKKEY.COM



SD SERIES



HD SERIES

NOTE: The unhoused version of the SKRU is shown above in the SD and HD Series.

The Type SKRU consists of an interlock, a solenoid, and an auxiliary switch. The solenoid is designed to permit removal of the interlock key in response to an external electric signal. The auxiliary switch is a quick-make, quick-break device, which operates when the interlock key is rotated. Normally, the key is trapped in the SKRU and the solenoid is de-energized. To release the key, a signal must be sent to the solenoid from an external source. The SKRU is typically used in combination with other KIRK® key interlocks. The SKRU can be manufactured with various mechanical and electrical options. The push button and/or the LED signal lamp are the most popular options. All electrical components are UL recognized. The solenoid, optional signal lamp and optional push button are wired out to a terminal block along with some of the aux contacts. Please reference the wiring diagrams on our website for specific details. The main body of the SKRU is constructed of brass. The optional cover plate is stainless steel and the optional housing is fiberglass reinforced polyester.

OPTIONS

Mounting Options – unhoused, cover plate only, or housed. The photo above shows all options of the SKRU. The housed SKRU is available front or back panel mounted. See drawing on page 6 of this data sheet, as well as the interlock ordering guide.

Key Removable – energized or de-energized. Please specify. Key removable energized is by far the most common.

Multi-Cylinder - up to 2 cylinders available. The two-cylinder SKRU can be keyed either of two ways, 1) both keys released together once the solenoid is energized or, 2) keyed so that one initiating key and the external signal to the solenoid are required to release a held key. See pages 7-9 for details on the unhoused and housed Double Cylinder SKRU's.

LED Signal Lamp – indicates that the external electric signal has been sent to the solenoid.

Push Button – connected in series with the solenoid - the push button must be pressed to allow the external electric signal to energize the solenoid.

Solenoid Voltage – 24VAC, 120VAC, 240VAC, 24VDC, 48VDC 125VDC, or 250VDC.

OPTIONS CONTINUED

Auxiliary Switch – double pole/double throw (DP/DT) is standard. The DP/DT switch is UL recognized and rated 10A 250VAC or VDC, or 15A 125VAC or VDC. Four pole/double throw (4P/DT) is available.

Stamp Key Interchange - specify an alphanumeric code to be stamped on the cylinder face and the key (e.g. A1, A2, B1, etc. - up to 5 characters). See SD Series Data Sheet for Keys (3.4) and Terminology (4.1) for details.

Protective Covers - see SD Series Data Sheet for Protective Covers (3.1) for details.

Notes:

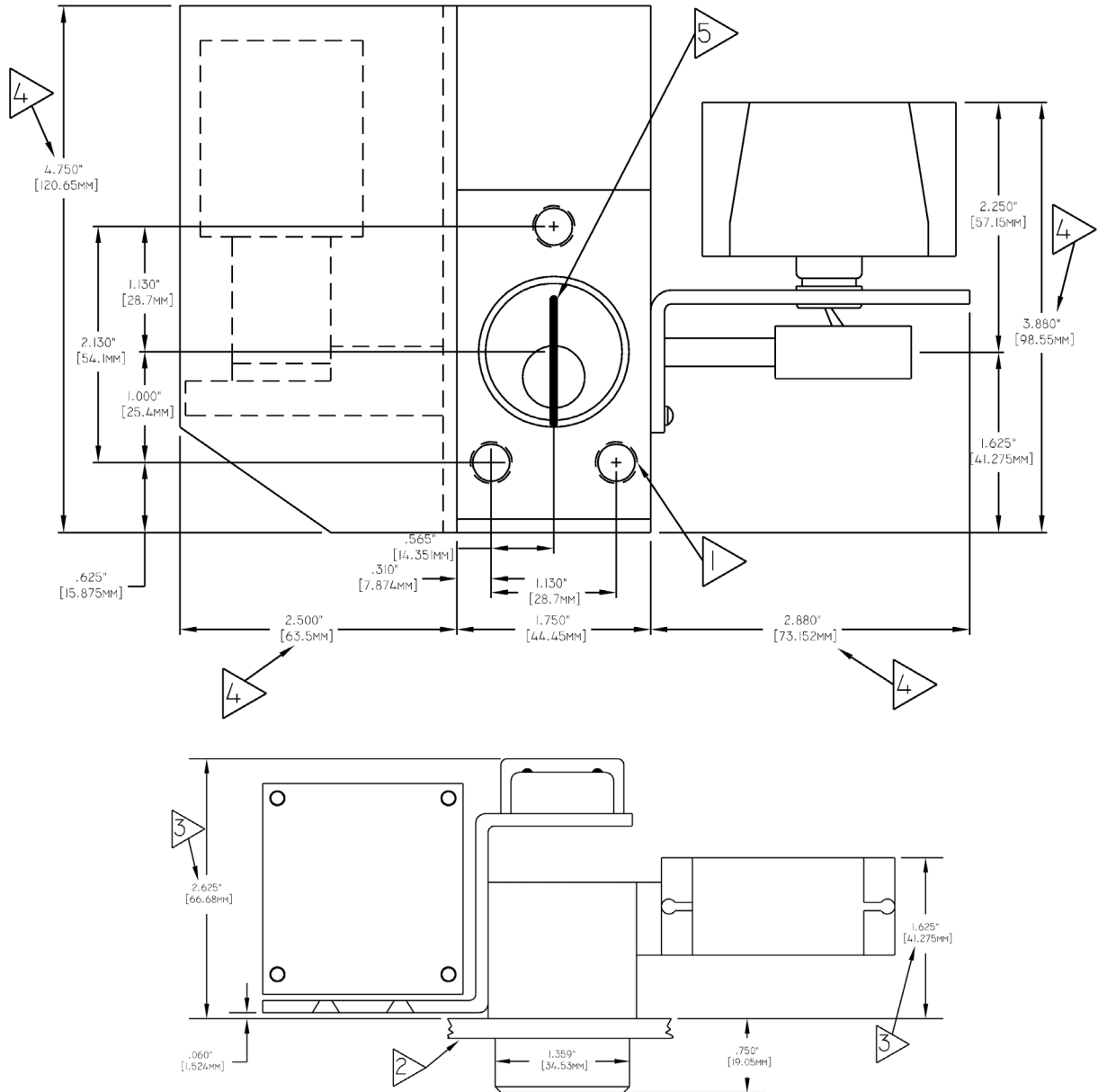
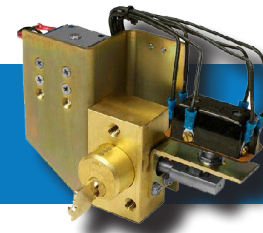
- 1) If both the signal lamp and push button are selected as options, the SKRU will be supplied with a combination signal lamp and push button as a single device.
- 2) If the Cover Plate Only mounting option is selected, the Unhoused SKRU will be mounted to a stainless steel cover plate. Reference the drawing on page 4 of this Data Sheet.
- 3) Two Cylinder SKRU information is shown on pages 7-9 of this data sheet.
- 4) Keys not included in the HD Series.

SOLENOID POWER RATINGS

AC	Solenoid Voltage	Coil Resistance	VA Rating	Nominal Current Ratings (AMPS)	Min. Pickup Voltage <i>(assumes no load on plunger)</i>	Max. Current Rating (AMPS)	In Rush Current
	120 VAC	163 0HMS	10	0.083A	102 VAC	0.098A	0.55A

DC	Solenoid Voltage	Coil Resistance	Nominal DC Power	Nominal Current Ratings (AMPS)	Min. Pickup Voltage <i>(assumes no load on plunger)</i>	Max. Current Rating (AMPS)
	24VDC	50 0HMS	11.5 W	0.480A	19.2 VDC	0.533A
	125VDC	1358 0HMS	11.5 W	0.092A	100 VDC	0.102A
	48VDC	201.6 0HMS	11.5 W	0.238A	38.4 VDC	0.265A

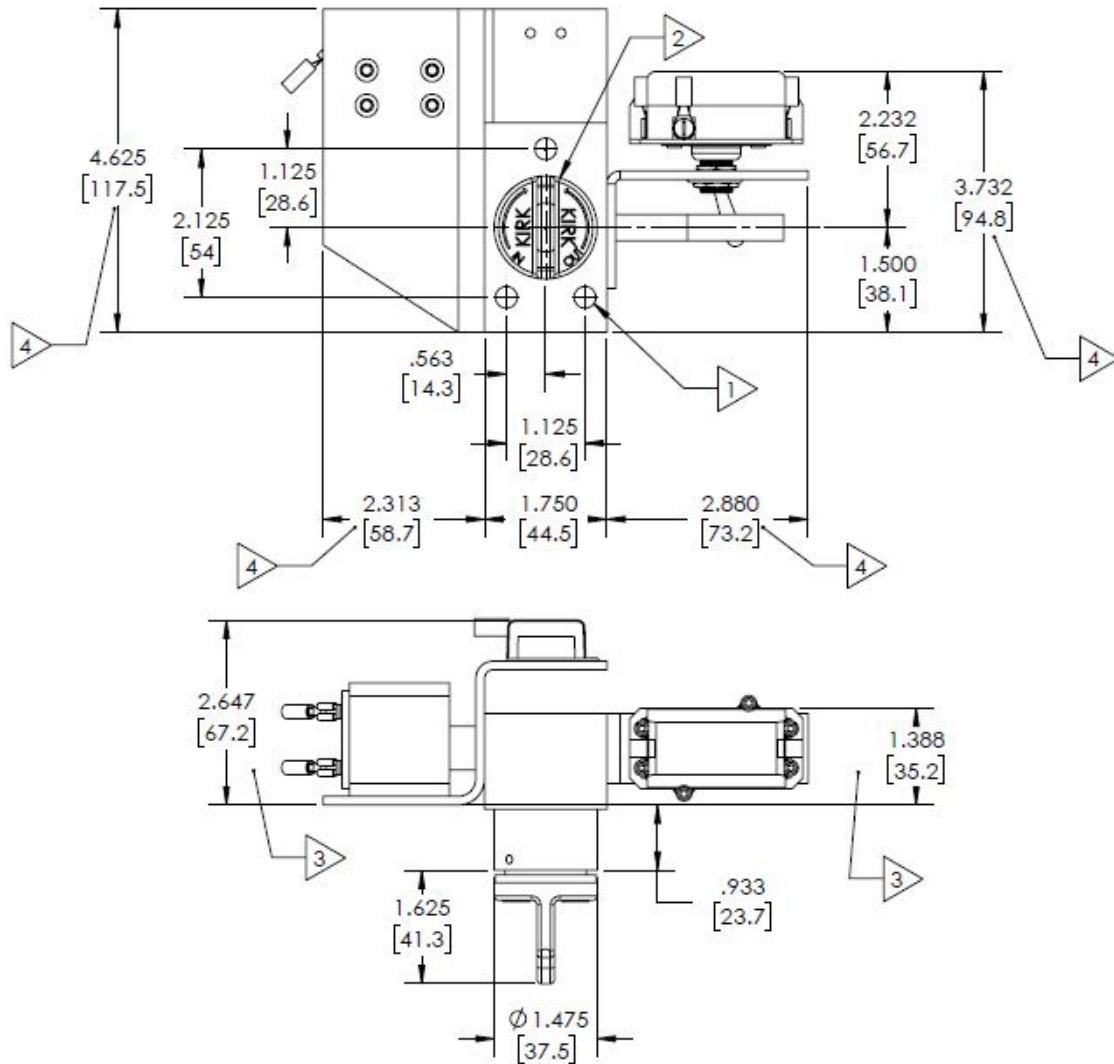
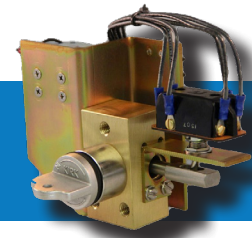
SD SERIES TYPE SKRU DRAWING - SINGLE CYLINDER, UNHOUSED -



NOTES:

- 1) Three 3/8"-16 x 1" deep tapped holes for mounting (3 holes).
- 2) Mounting panel or coverplate.
- 3) Clearance dimension from back of panel.
- 4) Clearance dimension.
- 5) Operating key shown in held position.
- 6) See cover plate drawing on page 4 of this Data Sheet for lock cylinder and mounting hole dimensions for unhoused Single Cylinder SKRU.

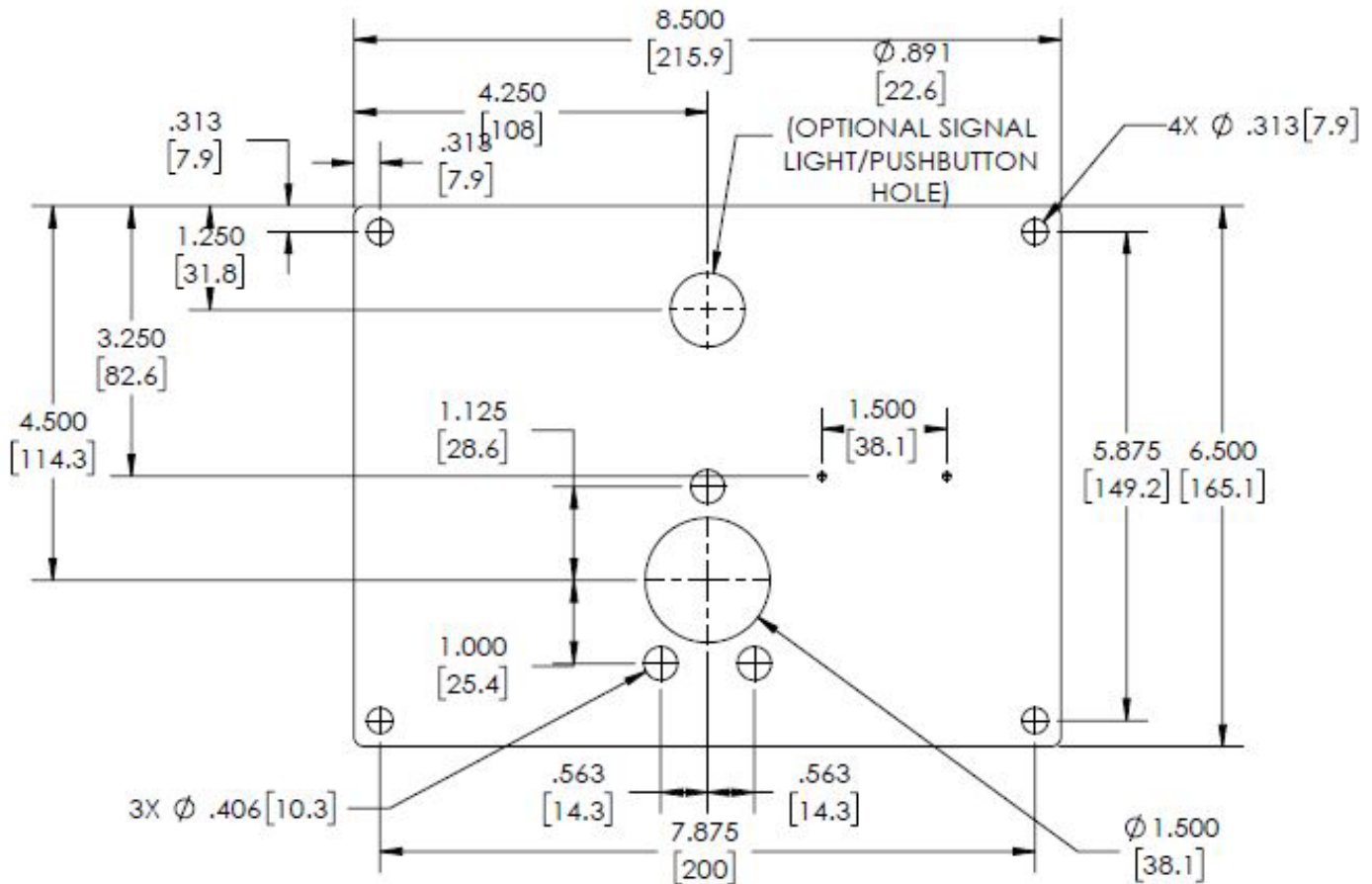
HD SERIES TYPE SKRU DRAWING - SINGLE CYLINDER, UNHOUSED -



NOTES:

- 1) Three 3/8"-16 1" deep tapped holes for mounting.
- 2) Operating key shown in held position.
- 3) Clearance dimension from back of panel.
- 4) Clearance dimensions.

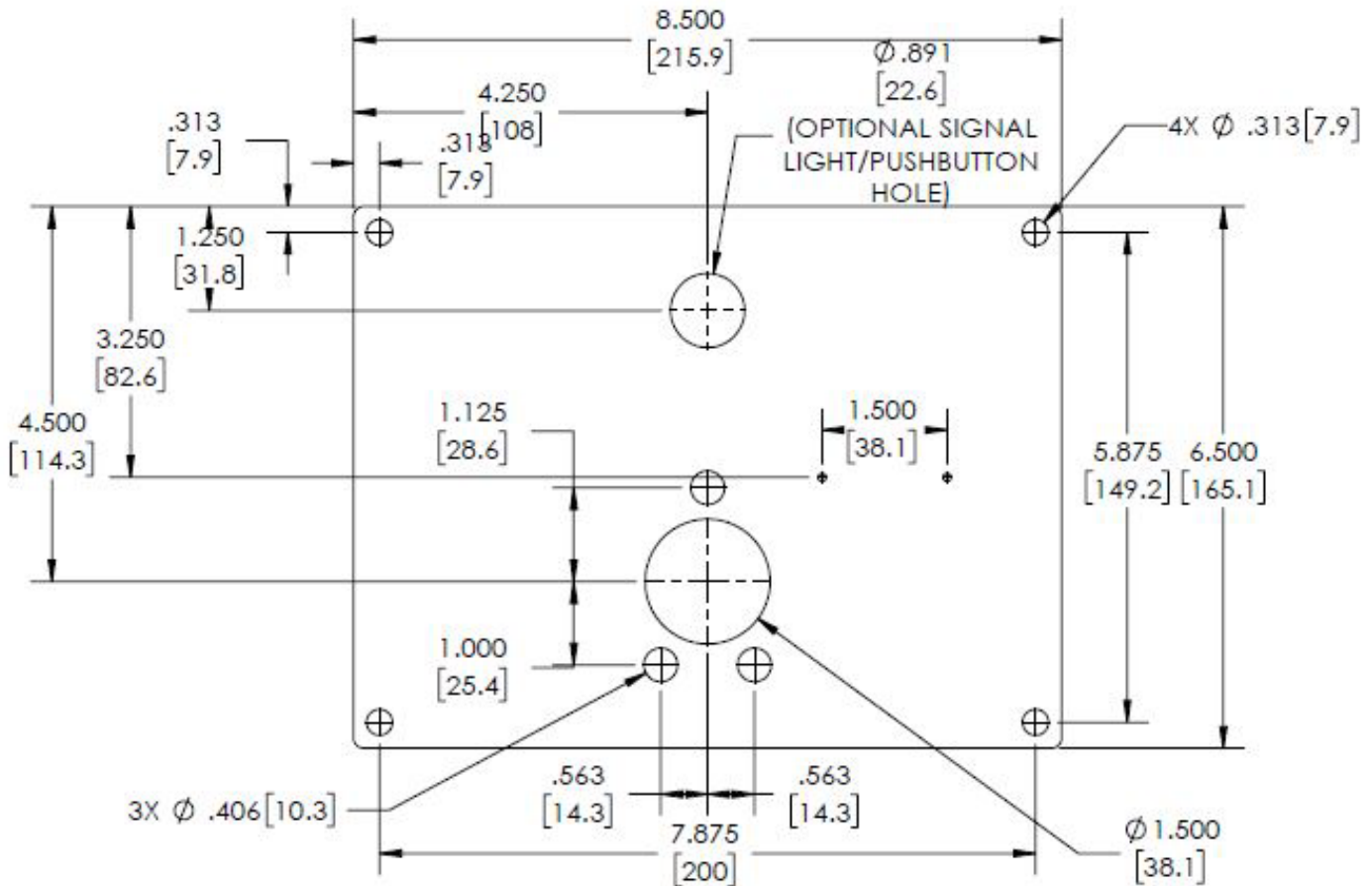
SD SERIES TYPE SKRU DRAWING - SINGLE CYLINDER, COVER PLATE -



NOTE:
SUGGESTED ALLOWING 8-1/2"X6-1/2" SPACE
FOR SKRU. SEE DWG #300-900C FOR EXACT
DIMENSIONS OF UNHOUSED SKRU.

NOTE: This drawing provides the lock cylinder and mounting hole dimensions pertaining to unhooused SKRUs. It also provides overall dimensions and mounting hole locations for the cover plate if SKRU is purchased with cover plate only.

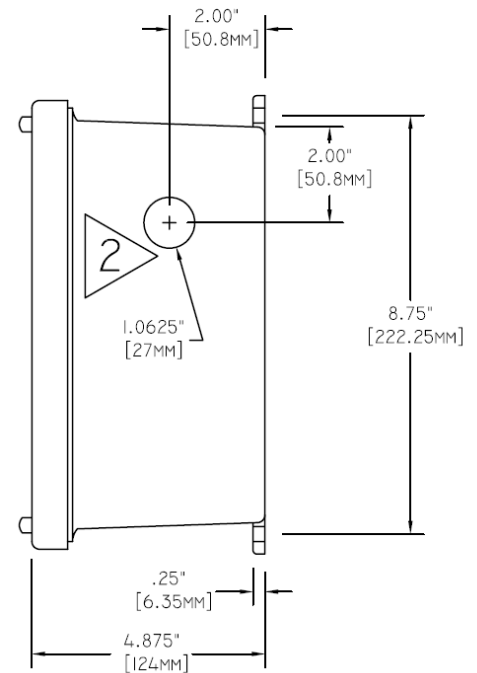
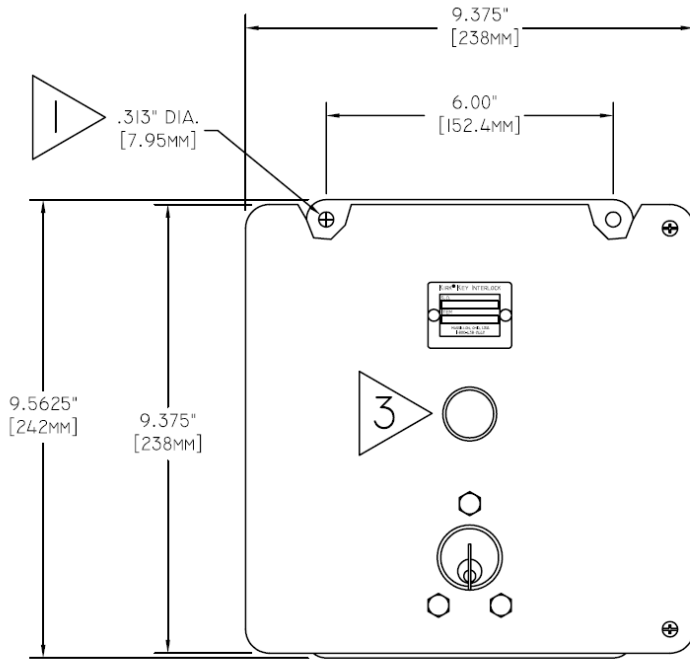
HD SERIES TYPE SKRU DRAWING - SINGLE CYLINDER, COVER PLATE -



NOTE:
SUGGESTED ALLOWING 8-1/2"X6-1/2" SPACE
FOR SKRU. SEE DWG #300-900C FOR EXACT
DIMENSIONS OF UNHOUSED SKRU.

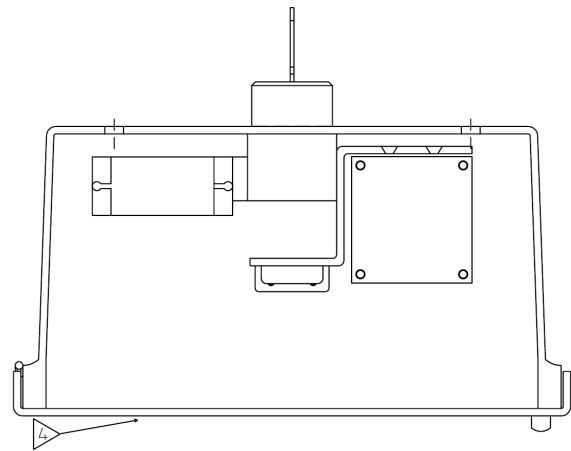
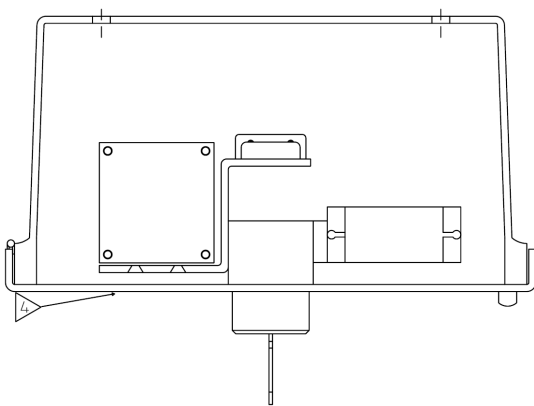
NOTE: This drawing provides the lock cylinder and mounting hole dimensions pertaining to unhooused SKRUs. It also provides overall dimensions and mounting hole locations for the cover plate if SKRU is purchased with cover plate only.

SD SERIES TYPE SKRU DRAWING - SINGLE CYLINDER, HOUSED -



NOTES:

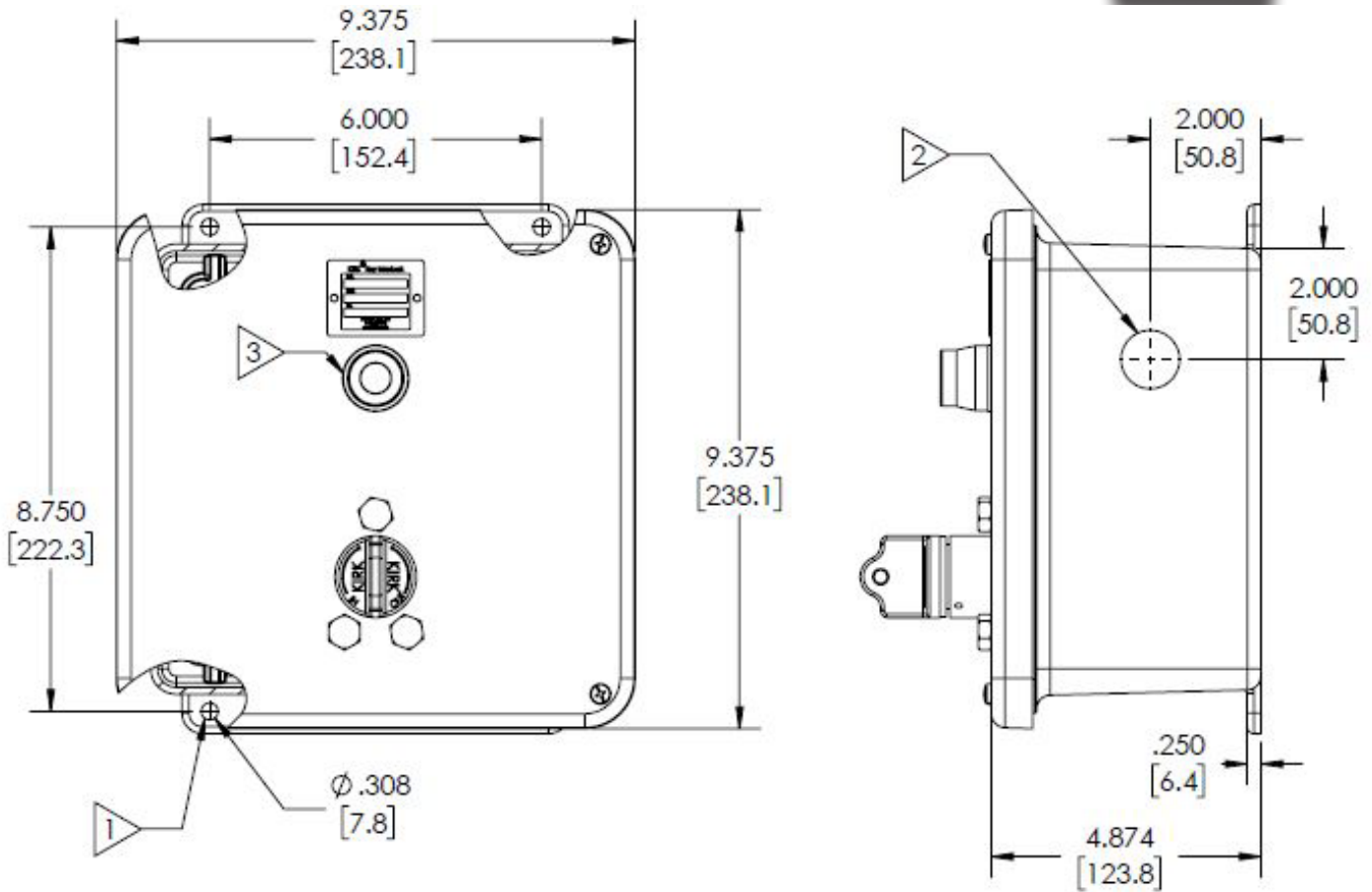
- 1) Four .313" dia. (7.94mm) holes for 1/4" mounting bolts (located on enclosure mounting tabs).
- 2) 1.0625" dia. conduit opening on side.
- 3) Location of signal light or push button (optional accessory).



NOTES:

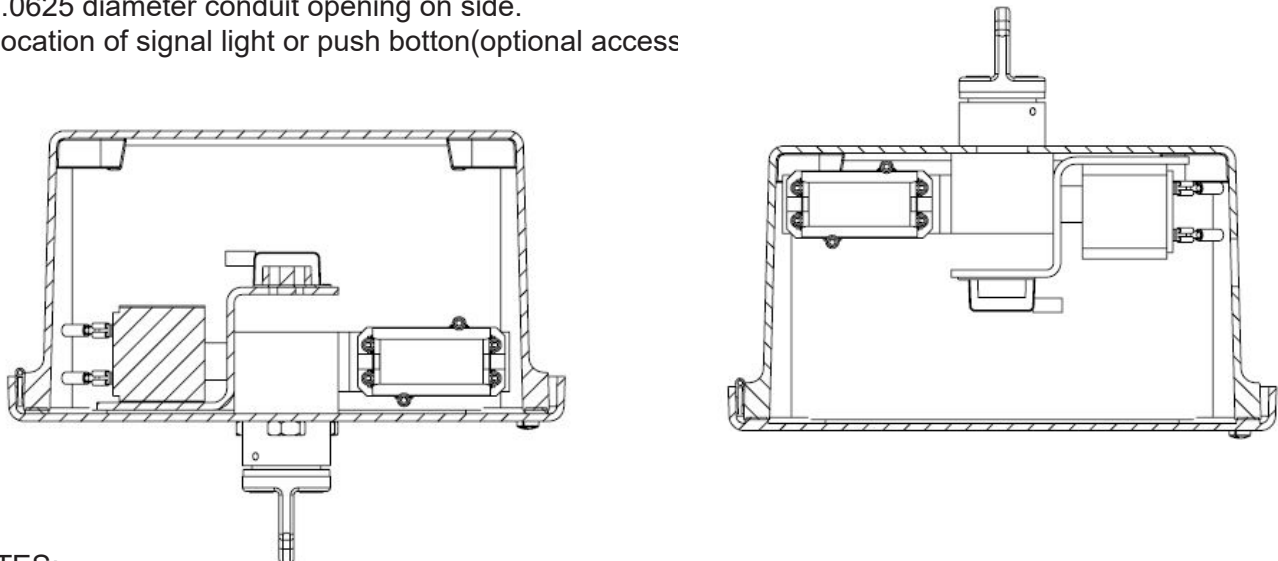
- 4) The drawing on the left shows a front panel mounted unit. The drawing on the right shows a back panel mounted unit.

HD SERIES TYPE SKRU DRAWING - SINGLE CYLINDER, HOUSED -



NOTES:

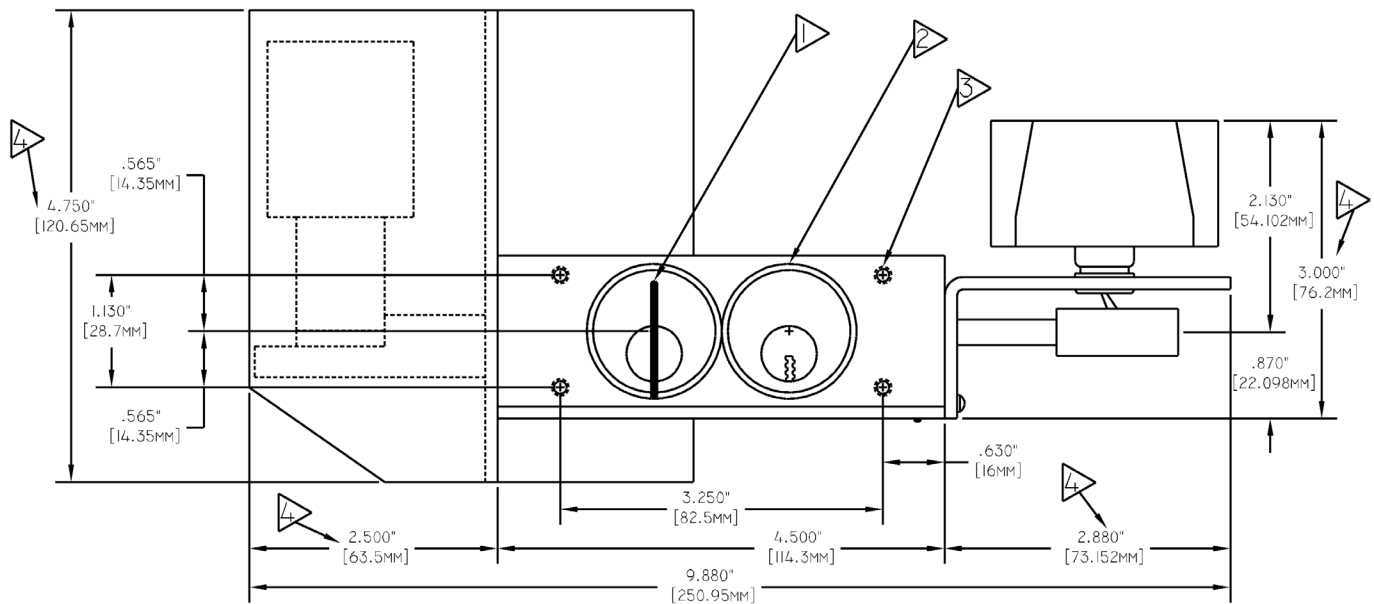
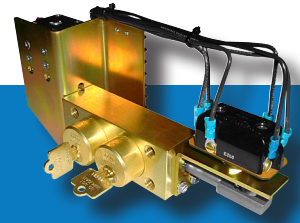
- 1) 4x .313in[7.94mm] diameter holes for 1/4" mounting bolts(located on the enclosure mounting tabs).
- 2) 1.0625 diameter conduit opening on side.
- 3) Location of signal light or push button(optional access



NOTES:

- 4) The drawing on the left shows a front panel mounted unit. The drawing on the right shows a back panel mounted unit.

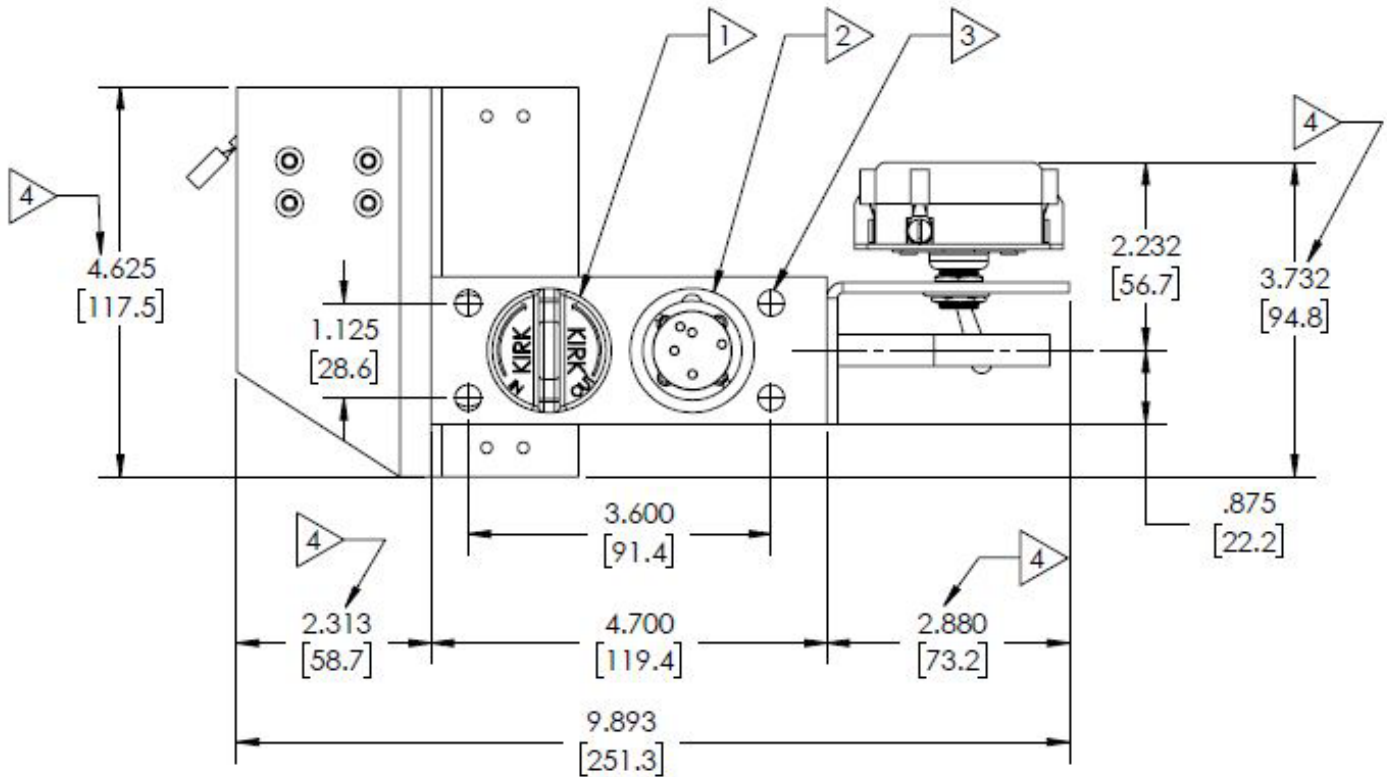
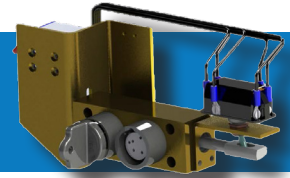
SD SERIES TYPE SKRU DRAWING - DOUBLE CYLINDER, UNHOUSED -



NOTES:

- 1) Operating key shown in held position.
- 2) Initiating key if "DE", second operating key if "EE". See SD Series Ordering Guide.
- 3) 3/8"-16 x 1" deep tapped holes for mounting (4 holes).
- 4) Clearance dimension.
- 5) See cover plate drawing on page 8 for lock cylinder and mounting hole dimensions for unhoused Double Cylinder SKRU.

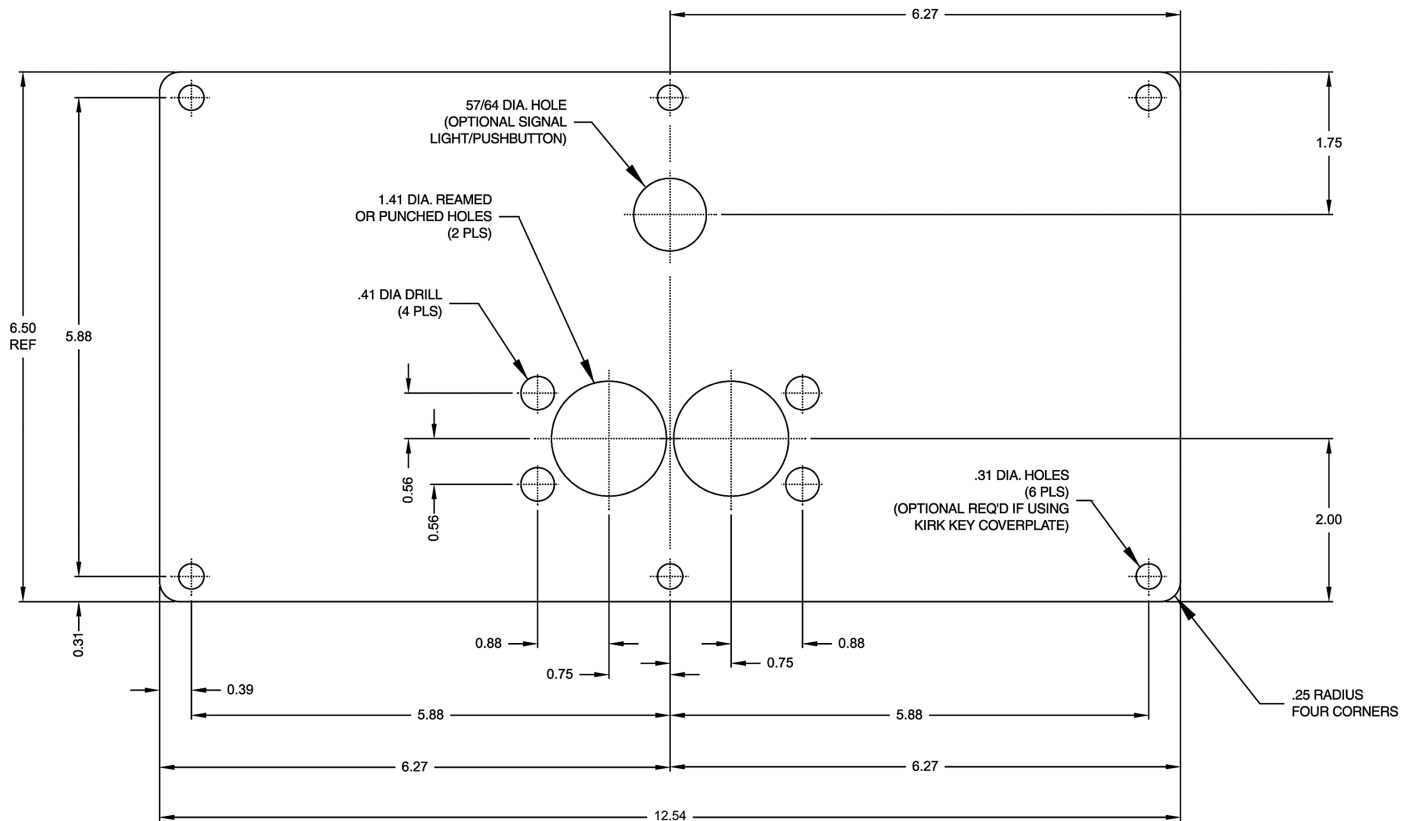
HD SERIES TYPE SKRU DRAWING - DOUBLE CYLINDER, UNHOUSED -



NOTES:

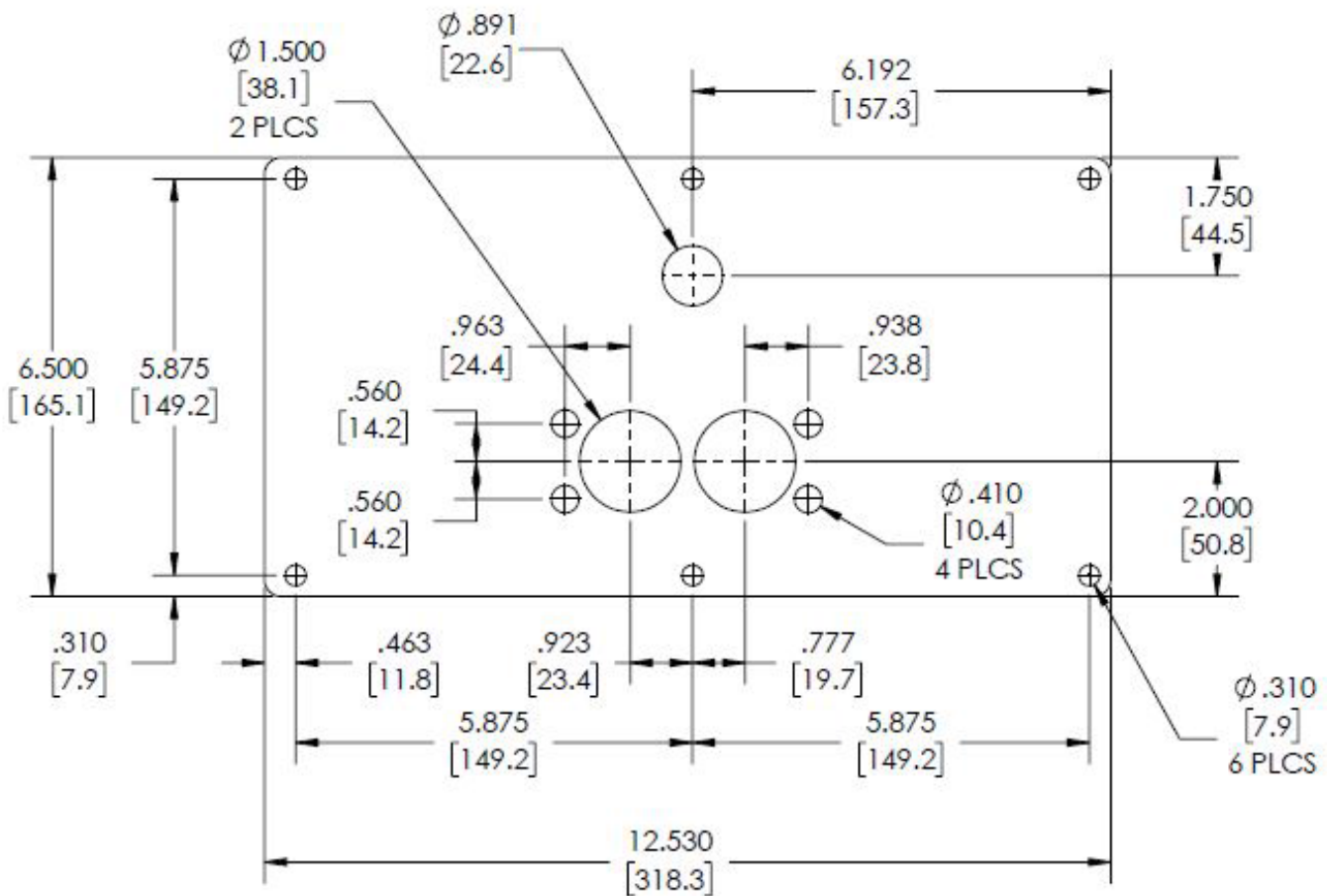
- 1) Operating key shown in held position.
- 2) Initiating key if "DE", second operating key is "EE". See HD Series Ordering Guide.
- 3) 3/8"-16 x 1" deep tapped holes for mounting (4 holes).
- 4) Clearance dimensions.

SD SERIES TYPE SKRU DRAWING - DOUBLE CYLINDER, COVER PLATE -



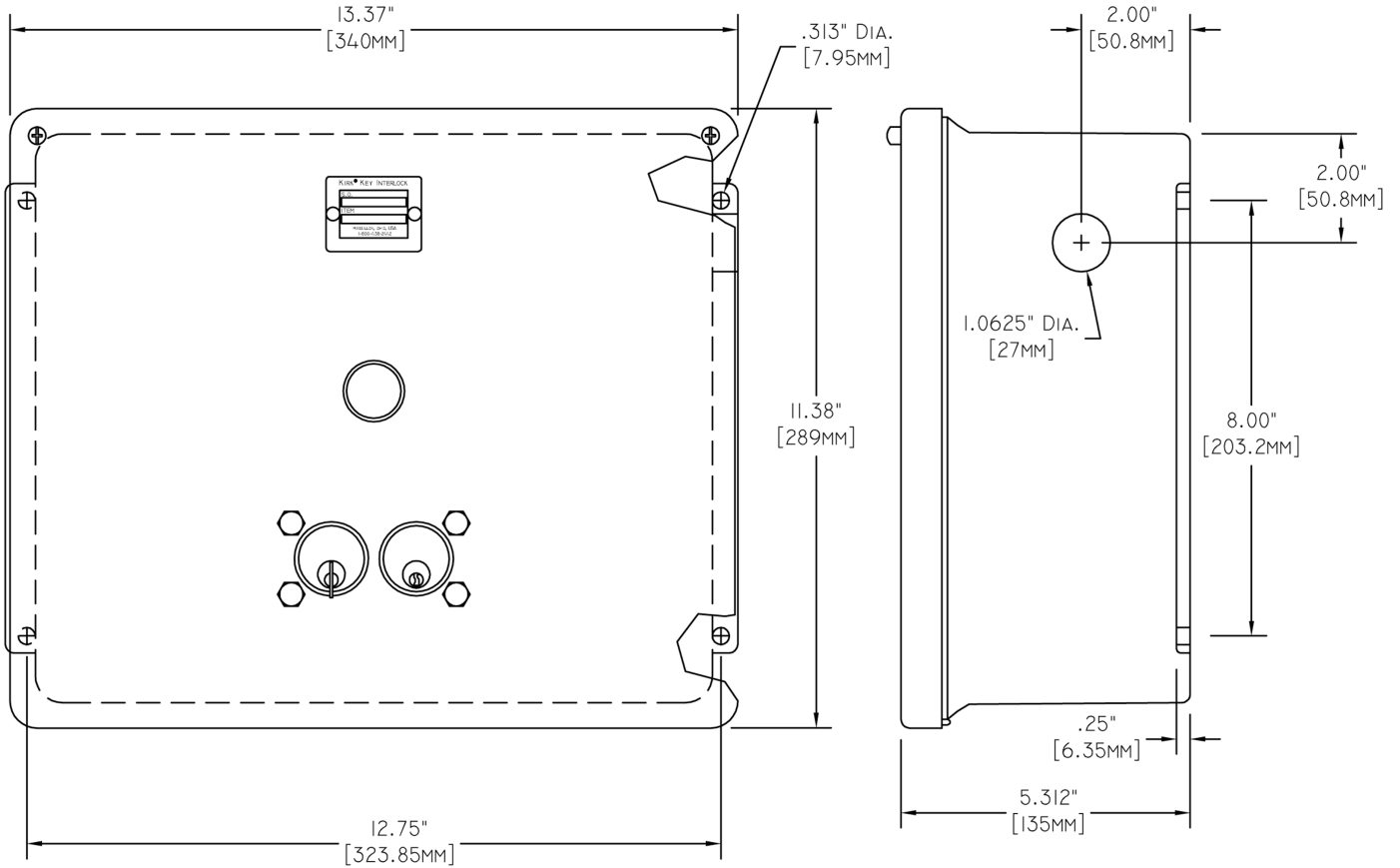
NOTE: This drawing provides the lock cylinder and mounting hole dimensions pertaining to unboxed Double Cylinder SKRUs. It also provides overall dimensions and mounting hole locations for the cover plate if SKRU is purchased with cover plate only.

HD SERIES TYPE SKRU DRAWING - DOUBLE CYLINDER, COVER PLATE -

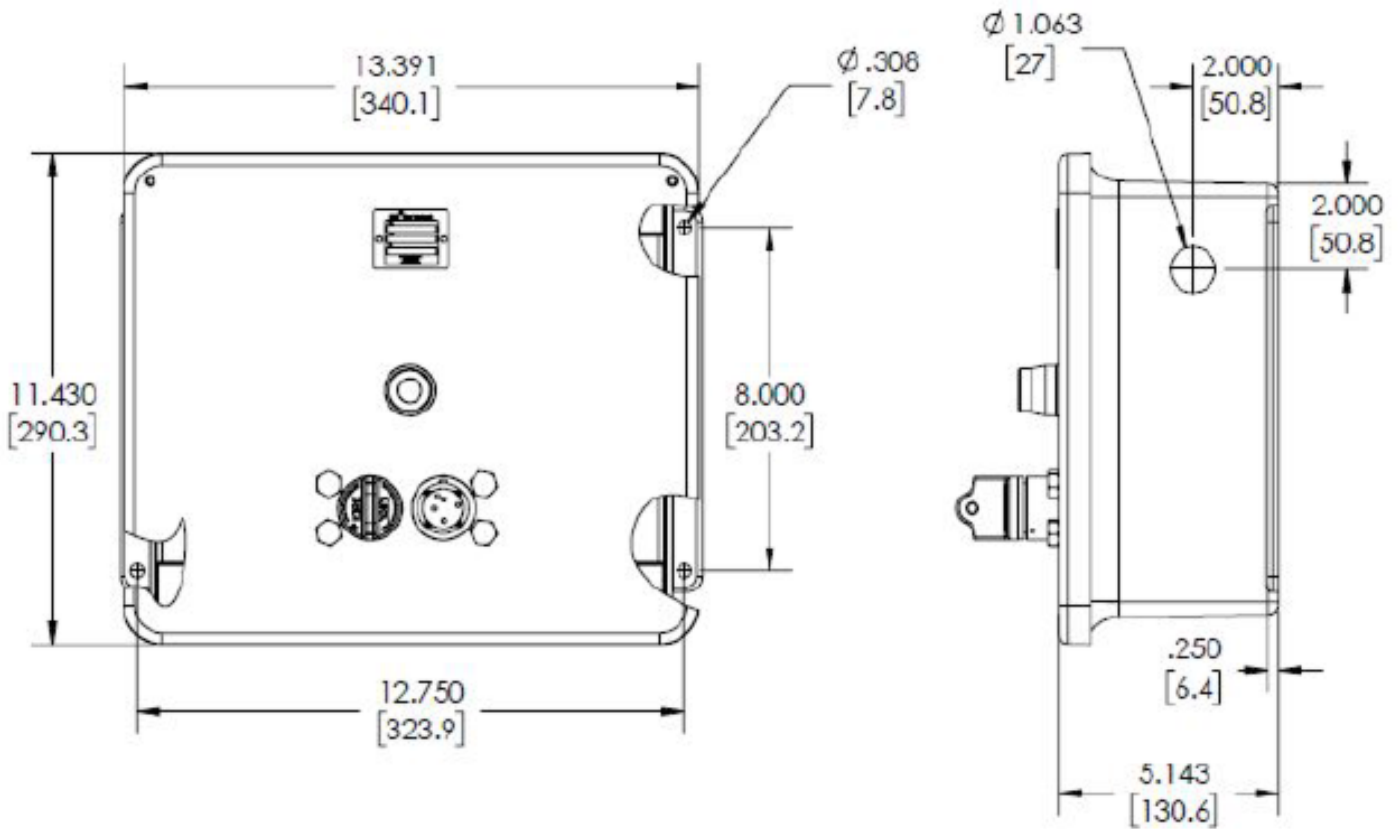


NOTE: This drawing provides the lock cylinder and mounting hole dimensions pertaining to unhousted Double Cylinder SKRU's. It also provides overall dimensions and mounting hole locations for the cover plate if SKRU is purchased with cover plate only.

SD SERIES TYPE SKRU DRAWING - DOUBLE CYLINDER, HOUSED -



HD SERIES TYPE SKRU DRAWING - DOUBLE CYLINDER, HOUSED -



TYPE SKRU ORDERING GUIDE

Part Number

0	1	2	3	4	5	6	7	8	9	10	11	12	13	14
	S	K	R	U										

0	Series	K = SD Series S = HD Series			
5	Style	1 = Unhoused 2 = Housed Front Mount 3 = Housed Back Mount 4 = Cover plate			
6	Solenoid Voltage	1 = 120VAC 2 = 24VDC 3 = 125VDC 4 = 48VDC 5 = 250VDC 6 = 240VAC 7 = 24VAC			
7 & 8	Key Removable	Solenoid Normal State	7	8	Number of Cylinders
	Energized	De-Energized	E	-	1 CYL
	De-Energized	Energized	D	-	1 CYL
	Both Energized	De-Energized	E	E	2 CYL
	Both De-Energized	Energized	D	D	2 CYL
	Primary De-Energized Secondary Energized	De-Energized	D	E	2 CYL
Primary Energized Secondary De-Energized	Energized	E	D	2 CYL	
9	LED Signal Light	- = No 1 = Yes			
10	Push Button	- = No 1 = Yes			
12	Stamp Key Interchange	- = No S = Yes			
13	Mounting Bolts	- = No T = Tamperproof			
14	Protective Covers	- = No C = Push On F = Flip Open (Push On cover only available for SD series)			