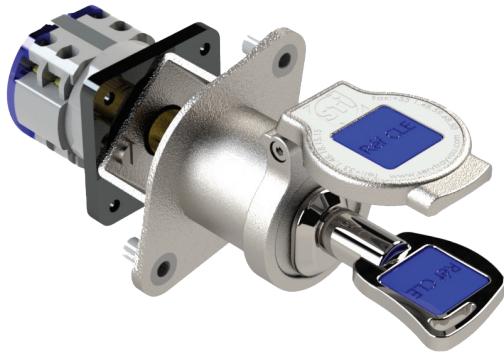


RTK - Key switch



Part of the
Sentric Group



The RTK is a key switch designed for the shutting down and locking of machine control or power circuits. It can be used for short term isolation.

The RTK is available in a flush-mounted version and a surface-mounted version (IP55 enclosure).



Trapped Key Interlocks



INDUSTRY



ENERGY



RAILWAY

USAGE

The RTK key switch is designed to be part of a safety system and is used to isolate a control circuit or limited power by releasing a key which is then used to gain access to a hazardous area by means of an access lock.



The RTK key switch is not primarily designed for access control purposes.

INSTALLATION



A safety lock must be fitted with appropriate fixings.

Important:

To prevent unauthorised removal, the lock must be fitted using rivets or M5 stainless steel security screws (washers, nuts and screws).

Installation must be carried out by a competent and qualified person.

MAINTENANCE

Periodic visual inspections should be carried out by the Facility Manager or Safety Manager to ensure that there is no distortion or corrosion/erosion/acid build-up and that the lock marking plate is clearly legible.

Do not lubricate the lock cylinder with oil or grease.

TECHNICAL DATA

Types of Mounting	Flush mounting or IP55 enclosure
Weight	Flush-mounted version: from 0.8 kg (for 1 key entry) Enclosure version: from 1.5 kg (for 1 key entry)
Material	- Cylinder: Nickel-plated brass - Mechanical: Brass - 304 stainless steel - Flip cap: 304 stainless steel - Marking plate: Aluminium - Glued plate (Acrylique - Loctite AA330) - Flush-mounted version: Metal sheet in stainless steel 304 (from 2 key entries) - Enclosure version: Polycarbonate enclosure
Product finishing	From 2 key entries, front panel in red polyester paint (RAL 3000)
Breaking capacity	20A/5,5kW (standard)
Temperature rating	-35°C / +120°C for the lock -25°C / +80°C for the switch
Salt spray tolerance	240h
Watertightness	Flush-mounted version: IP2X Enclosure version: IP55
IK rating	IK10
Vibrations	0.7mm @10-55HZ 1 oct/min in 3 axes
Retentive strength	250N-key
Lifespan	650000 cycles
B10d	130000 cycles
DC	90%
Compliance	- CE Marking Directive 2001/95/EC - Machinery Directive 2006/42/EC - Low Voltage Directive 2014/35/EU
ROHS	Certificate available on our website, Resource Centre section
REACH	Certificate available on our website, Resource Centre section
Conflict Minerals Declaration	Certificate available on our website, Resource Centre section

OPTIONS

- 1 to 6 key entries
- ATEX explosive atmosphere (under feasibility study)

APPLICATION

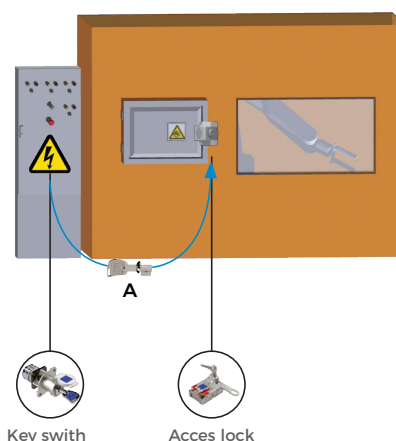
The system includes a RTK key switch to control machine control circuit and a NX access lock for entering the hazardous area. Under normal machine operation (motor powered), the power key A is trapped in the RTK and the access doors to the hazardous area are closed and locked.

To access the hazardous area:

1. The operator releases the isolation key A from the RTK, thus cutting off the power to the machine.
2. The isolation key A is then trapped in the NX access lock releasing the latch allowing access to the area.

As long as the access to the area is open, the isolation key A is trapped in the access lock. The machine cannot be restarted with the door open.

3. To put the machine back into services, the operator follows the same steps in reverse order.



RTK - Key switch



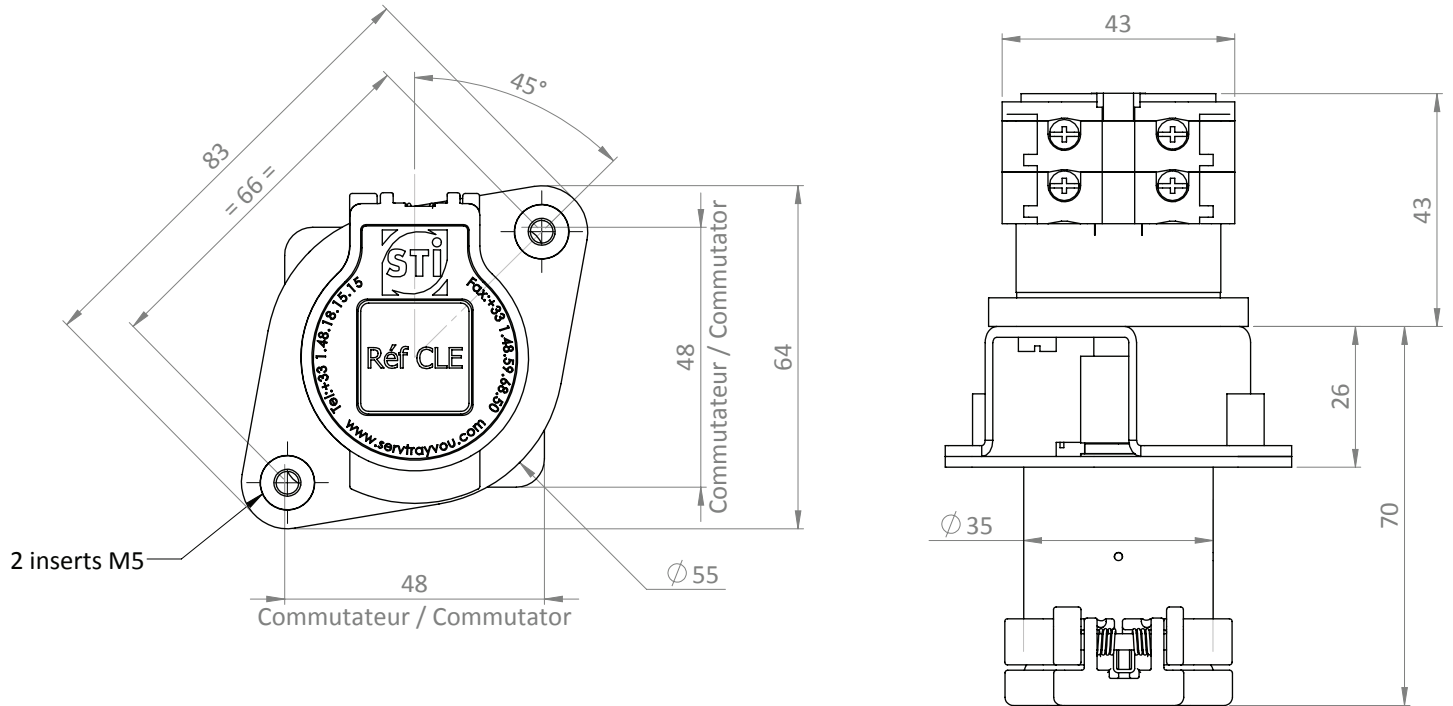
Part of the
Sentric Group

DRAWING

Dimensions: in mm

Note: For a safe mounting, use rivets or self-tapping screws.

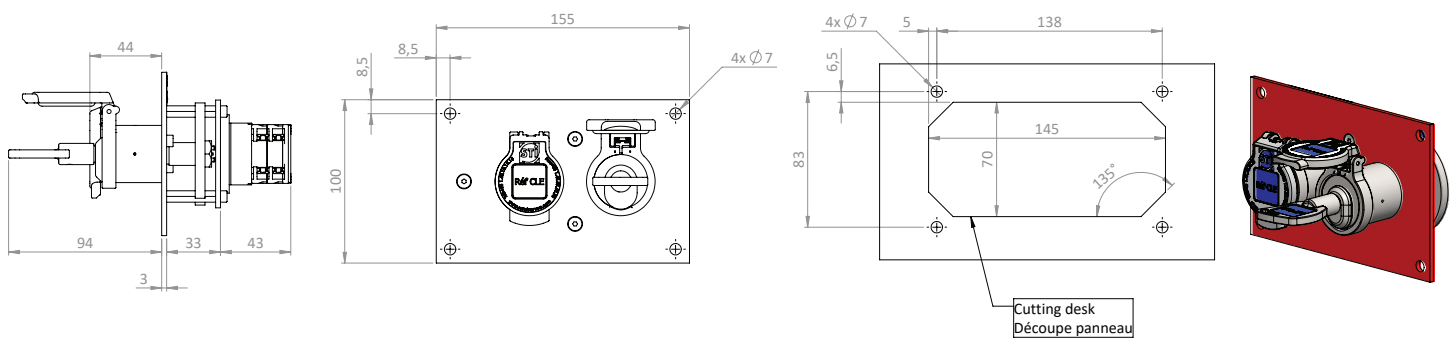
RTK one key entry flush mounted version



DRAWING

Dimensions: in mm

RTK two keys entries flush mounted version



RTK - Key switch

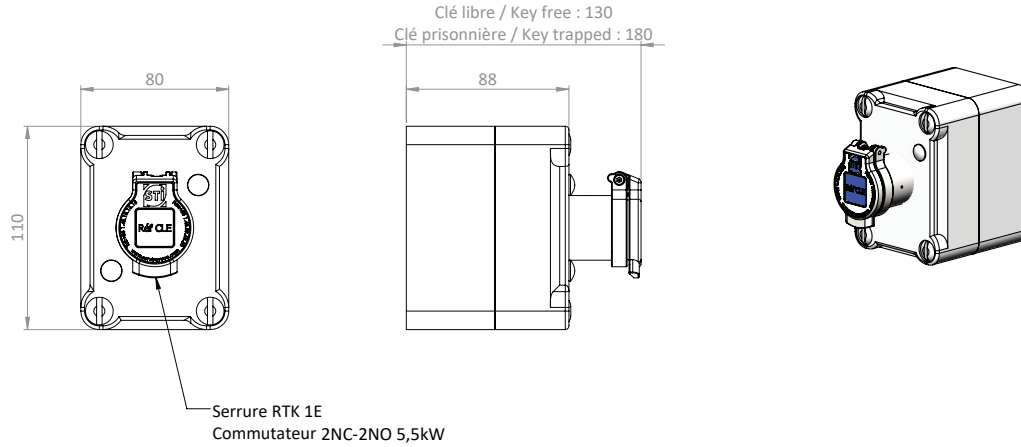


Part of the
Sentric Group

DRAWING

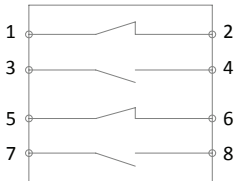
Dimensions: in mm

RTK single entry IP55 enclosure version



WIRING DIAGRAM

Type 2NC-2NO



Contact reference & Specifications		C6
		2NC-2NO
Puissance / Power		5,5kW (CA10)
Section maxi en mm ²	rigide / rigid	4
Wire section	souple / flexible	2,5
Contact additionnel	Par 2 en option	10
Additional contact	By 2 in option	

RTK - Key switch



Part of the
Sentric Group

ORDER INFORMATION

	RTK	N° of entries	Type	Function	N° of switch	Switch	Order no
Reference	RTK						
Example	RTK	1	E	AA	1	C6	0

1	N° of entries	From 1 to 6 entries
2	Type	E = RTK flush mounting version (flush mount) B = RTK enclosure version (IP55 polycarbonate enclosure)
3	Function	The function determines the key position (in or out). See FUNCTION table
4	N° of switch	From 1 to the number of entries
4	Switch	C6 = 2NC-2NO, 5,5kW, CA10 C7 = 3NC-1NO, 5,5kW, CA10F C9 = 3NC-3NO, 11kW, CA25 C11 = 3NC-3NO, 18,5kW, C42 DI = If other switch C00 = No switch SP = Special switch *switch status in trapped key position
4	Order no	For specific applications. This number is assigned by STI for an adapted product

N° of entries	Funcion	Principle	N° of entries	Funcion	Principle
1	AA		5	AO	
2	AB		5	AP	
2	AC		5	AQ	
3	AD		5	AR	
3	AE		5	AS	
3	AG		6	AU	
4	AJ		6	AV	
4	AK		6	AW	
4	AL		6	AX	
4	AM		6	AY	
			6	AZ	

Legend	○	free key
	●	trapped key

RTK - Key switch



Part of the
Sentric Group

ACCESSORIES

- None

CONTACTS

Serv Trayvou

1 ter rue du Marais, 93100 MONTREUIL, France

t: +33 (0)1 48 18 15 15 | f: +33 (0)1 48 59 68 50 | e: sales@servtrayvou.com

6 of 6



Whilst every effort has been made to ensure the accuracy of the information provided, no liability can be accepted for any errors or omissions. Serv Trayvou Interverrouillage S.A.S. reserves the right to alter specifications and introduce improvements without prior notice.

www.servtrayvou.com

U-RTK - Key switch-E-01 (10-22)