

# ASE/HSE Electromechanical lock



Part of the  
Sentric Group



The electromechanical lock is an electrically controlled isolation lock. It can be used when the key release is conditioned by a PLC.

The lock is available from 1 to 3 cylinders and has various options for mechanical and electrical operation, wiring, housing type, connection and ancillary functions.



Trapped Key  
Interlocks



ENERGY

## USAGE

The electromechanical lock is used as part of a safe guarding system.

 This lock is not designed to secure access to a safe, external access to a building, for doors or access gates.

When using function A and/or B the solenoid should not be energized permanently. For permanent supply, use option C (with push-button) to limit the time of the solenoid being continuously energized.

## INSTALLATION

 A safety lock must be fitted with appropriate fixings (not supplied with the lock).

### Important:

To prevent unauthorised removal, the lock must be fitted with a stainless steel rivet or stainless steel security screws and secured with a threadlocker.

Tightening torque: 5Nm

The lock must be installed by a competent and qualified person.

## MAINTENANCE

No maintenance of the product is recommended. However, to improve its operation and possibly increase its life span, adding "Xenium micronised graphite powder" to the lock is accepted. Any other product is prohibited.

## TECHNICAL INFORMATION

<b>Weight</b>	Starting at 1,25 kg for 1 entry
<b>Material</b>	- Cylinder - Rotor 5000 : 6064-T9 aluminium / Rotor 6000 : Grivory G VX-65h composite Stator : 6064-T9 aluminium - Cam - AISI 304 stainless steel - Boitier - Polyamide PPA - Cover - AISI 304 stainless steel
<b>Product finishing</b>	Anodised black (cylinder)
<b>Operating voltage and power consumption</b>	24VAC / 24VDC - 7,5W 30VAC / 30VDC - 7,5W 48VAC / 48VDC - 7,5W 110VAC / 110VDC - 7,5W 125VAC / 125VDC - 7,5W 220AC / 220VDC - 7,5W
<b>Temperature rating</b>	Currently being evaluated
<b>Salt spray tolerance</b>	Currently being evaluated
<b>Watertightness</b>	Currently being evaluated
<b>IK rating</b>	Currently being evaluated
<b>Vibrations</b>	Currently being evaluated
<b>Retentive strength</b>	250N-key To be tested-bolt
<b>Lifespan</b>	Currently being evaluated
<b>B10d</b>	Currently being evaluated
<b>DC</b>	90%
<b>Compliance</b>	- CE Marking Directive 2001/95/EC - Machinery Directive 2006/42/EC - Low Voltage Directive 2014/35/EU (with a switch) - EMC Directive 2014/30/EU
<b>ROHS</b>	Certificate available on our website, Resource Centre section
<b>REACH</b>	Certificate available on our website, Resource Centre section
<b>Conflict Minerals Declaration</b>	Certificate available on our website, Resource Centre section

## OPTIONS

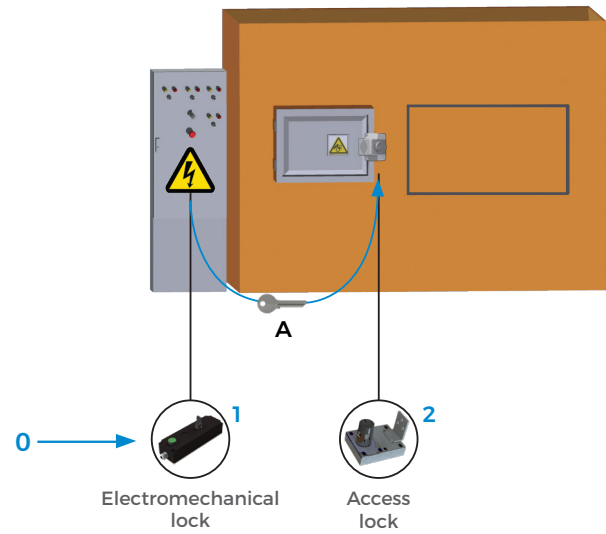
- Flat key (RONIS type) or star key (PROFALUX type)
- Up to 3 cylinders
- Rotor type (aluminium or composite)
- Key release by voltage emission or absence
- Various electrical contact configurations
- Specific boxes
- Adding a bolt on key entry

## APPLICATION

The system includes an electromechanical lock as well as an access lock for entering the hazardous area. Under normal operation (voltage emission), the power key A is trapped in the electromechanical lock and the access door to the hazardous area is closed and locked.

To access the hazardous area:

0. A key removal authorisation is sent to the electromechanical lock by a PLC when the safety conditions are met (power failure in the area).
1. The operator releases the power key A from the electromechanical lock.
2. The power key A is then trapped in the access lock, releasing the latch allowing access to the area.
3. To put the machine back into service, the operator follows the same steps in reverse order



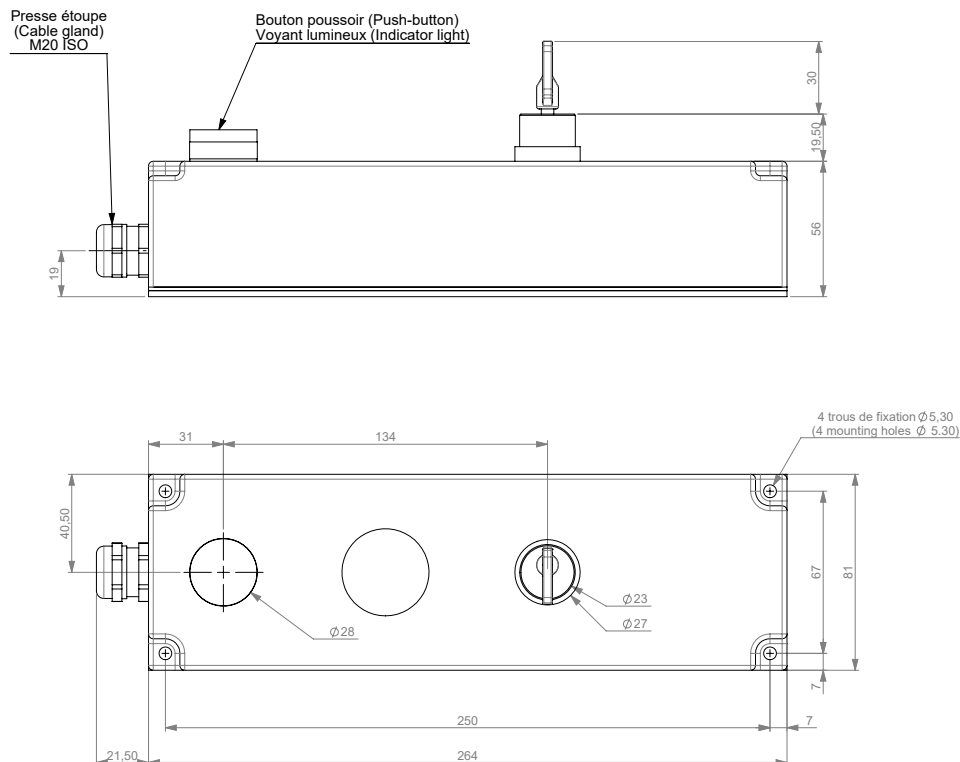
## DRAWING

Dimensions: in mm

Available as a flat key (RONIS) or star key (PROFALUX)

**Note:** For safe mounting, use security screws.

### Electromechanical lock standard version with one key entry



# ASE/HSE Electromechanical lock



Part of the  
Sentric Group

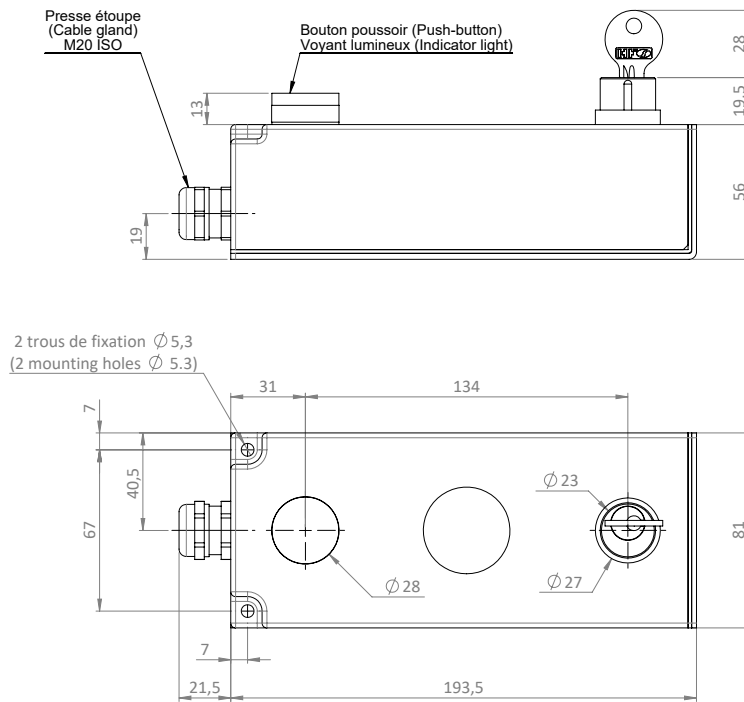
## DRAWING

Dimensions: in mm

Available as a flat key (RONIS) or star key (PROFALUX)

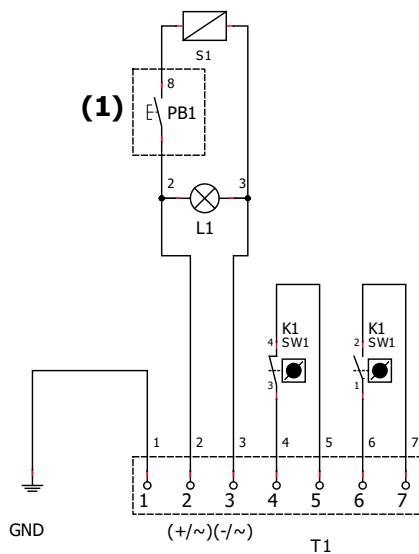
**Note:** For safe mounting, use security screws.

## Electromechanical lock reduced box version with one key entry



## STANDARD WIRING DIAGRAM

### Câblage (Wiring):

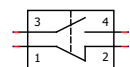


### Légende (Legend):

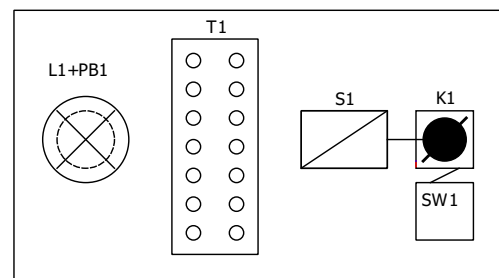
Tn : Bornier (Terminal)  
Kn : Clé (Key)  
Ln : Lampe (Lamp)  
PBn : Bouton-poussoir (Push button)  
SWn : Interrupteur (Switch)  
Sn : Electroaimant (Solenoid)  
GND : Terre (Ground)  
n : Numéro (Number)

### SWn Repos (rest):

Crouzet 83132030



### Implantation (Setting up):



# ASE/HSE Electromechanical lock



Part of the  
Sentric Group

## ORDER INFORMATION

	Cylinder profile	Product type	N° of cylinder	Electro function	Meca function	Key profile	Rotor type	Key switches configuration	Particularity
Reference									
Example	A	SE	1	C	A	EL	5	CXX	000

<b>Cylinder profile</b>	A = Flat key H = Star key
<b>N° of cylinder</b>	From 1 to 3 cylinders
<b>Electromechanical function</b>	A: voltage release with warning light B : voltage-free release with indicator light C: release by voltage emission and push button with warning light D: voltage release without warning light E : voltage-free release without indicator light F : release by voltage emission and push button without indicator light
<b>Mechanical function</b>	The function determines the key position (in or out). See FUNCTION table
<b>Key profile</b>	Star key = PS 5-piston flat key = EK, EL, EM, EP, ET, EV 6-piston flat key = GK, GL, GM, GP, GT, GV
<b>Rotor type</b>	5 = Aluminium 6 = Composite
<b>Key switches configuration</b>	The contact configuration determines the type and position of the electrical key status contacts. See SWITCHES table
<b>Particularity</b>	000 : Standard 001 : 18mm Ø10 bolt on cylinder 1 002 : IP54 case 003 : Reduced size case xxx : contact us for customised solution

N° cylinder	Mechanical function	Principe
1	A	
2	A	
2	B	
3	A	
3	B	
3	C	

Switch config	Switch type	Switch status trapped key	Switch config	Switch type	Switch status trapped key
A	1NC		H	2NC-1NO	
B	1NO		I	3NC-1NO	
C	1NC-1NO		J	1NC-3NO	
D	2NC		K	3NC	
E	2NO		L	3NO	
F	2NC-2NO		M	1NC-1NO+1NC in series with solenoid	
G	1NC-2NO		X	No switch	

Légende	○	free key
	●	trapped key

# ASE/HSE Electromechanical lock



Part of the  
Sentric Group

## ACCESSORIES

- Flip cap (ref. D23556)

## CONTACTS

### Serv Trayvou

1 ter rue du Marais, 93100 MONTREUIL, France

t: +33 (0)1 48 18 15 15 | f: +33 (0)1 48 59 68 50 | e: [sales@servtrayvou.com](mailto:sales@servtrayvou.com)

