

ABA/HBA camlock



Part of the
Sentric Group



The camlock is used for the mechanical locking of switches, circuit breakers, inverters, disconnectors and earthing switches.

A cam is usually attached to the drive at the rear of the lock. Many different types of cams are available from manufacturers depending on the type of circuit breaker or switchgear. In order to reduce the length of the cam lock, it is possible to add rings on the threaded part of the camlock. These 4 or 6mm rings are supplied depending on the type of cam lock.

This camlock is available in aluminium, which makes it ideal for use in the energy sector.




Trapped Key
Interlocks



ENERGY

USAGE

The camlock is used as part of a safe guarding system.

 This lock is not designed to secure access to a safe, external access to a building, for doors or access gates.

INSTALLATION

 A safety lock must be fitted with appropriate fixings (not supplied with the lock).

Important:

To prevent unauthorised removal, the lock must be fitted with a stainless steel rivet or stainless steel security screws and secured with a threadlocker.

Drilling of the plate: $\varnothing 22.5$ + flat 19.5 Use the nuts supplied and tighten to the following torque: :

- M22x0.8: max. 10Nm
- M17x1: max. 2.5 Nm

The lock must be installed by a competent and qualified person.

MAINTENANCE

No maintenance of the product is recommended. However, to improve its operation and possibly increase its life span, adding "Xenium micronised graphite powder" to the lock is accepted. Any other product is prohibited.

TECHNICAL DATA

Weight	71 gr
Material	Rotor 5000: 6064-T9 aluminium Rotor 6000: Grivory GVX-65h composite Stator: 6064-T9 aluminium Nuts: brass Ring: brass
Product finishing	Anodised black
Type of Mounting	Surface mounting using fasteners appropriate to each equipment manufacturer (Schneider/ABB/SIEMENS/LEGRAND/POMMIER/EATON/ORMAZABAL/...)
Temperature rating	-35°C / +120°C for the lock -35°C / +85°C for the switch
Salt spray tolerance	240h
Watertightness	IP4X-lock
IK rating	IK08
Vibrations	0.7mm @10-55HZ 1 oct/min in 3 axes
Retentive strength	250N-key
Lifespan	1000000 cycles*
B10d	200000 cycles*
DC	90%
Compliance	- CE Marking Directive 2001/95/EC - Machinery Directive 2006/42/EC - Low Voltage Directive 2014/35/EU (with a switch)
ROHS	Certificate available on our website, Resource Centre section
REACH	Certificate available on our website, Resource Centre section
Conflict Minerals Declaration	Certificate available on our website, Resource Centre section

*Aluminium rotor version

OPTIONS

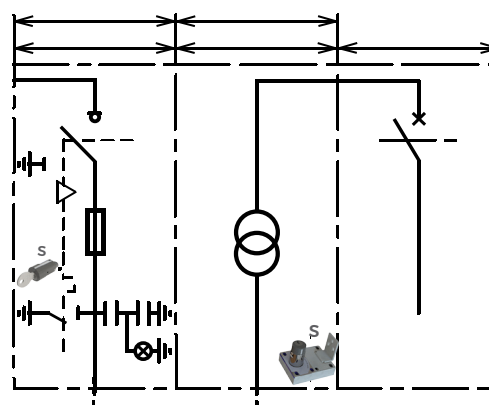
- Flat key (RONIS type) or star key (PROFALUX type)
- Electrical switch 1NO-1NC, double break switch. Contact us to configure more switches.
- Rotation (90° or 180°)
- Left or right (reversible once delivered)
- Rotor type (aluminium or composite)

APPLICATION

Maintenance operation of the transformer in the TR cabinet:

- Open the disconnecting switch in the low-voltage (LV) cabinet downstream of the transformer
- Open the isolating switch of the protection cabinet upstream of the transformer
- Lock the earthing switch in the "closed" position (release key S)

Using this key, unlock the connector's protection plugs (with the plugs removed, key S is trapped).



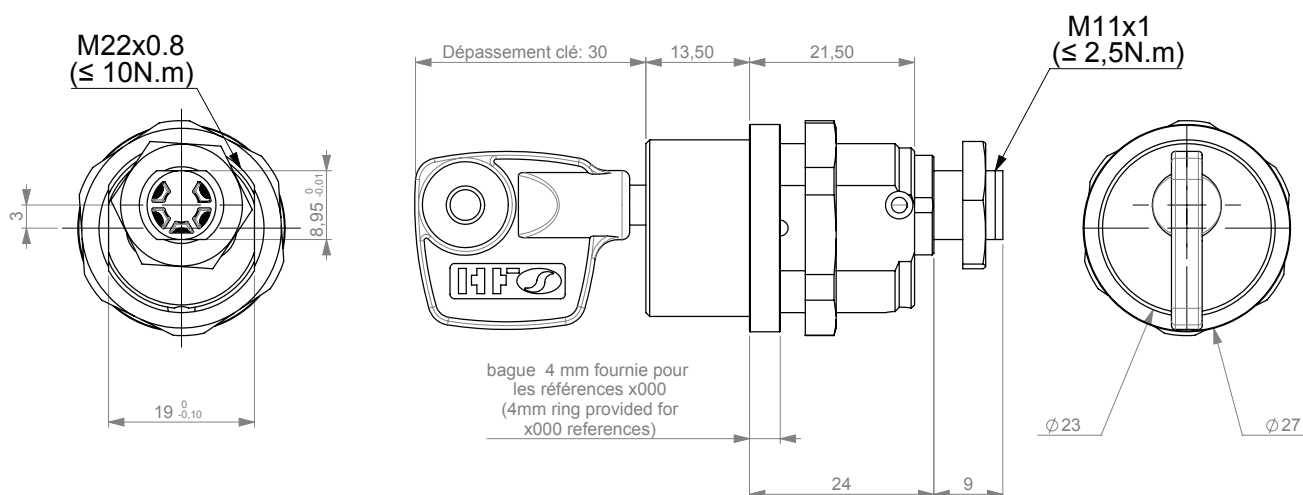
DRAWING

Dimensions: in mm

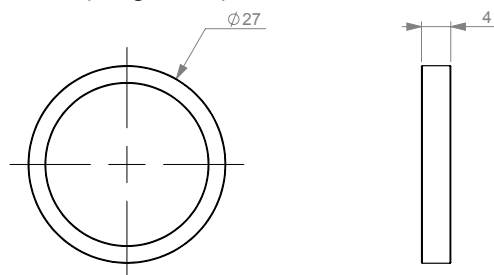
Available as a flat key (RONIS) or star key (PROFALUX)

Standard Camlock

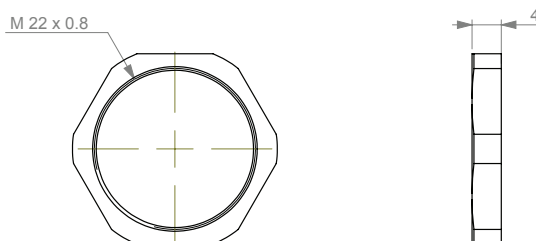
REP 1: Batteuse
(Camlock)



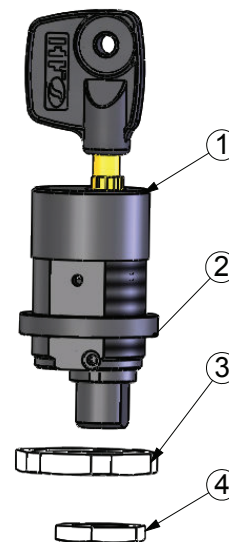
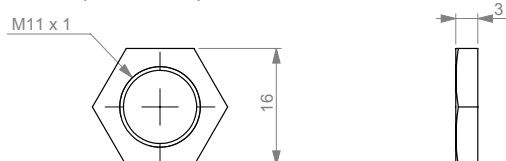
REP 2: Bague 4 MM
(Ring 4 MM)



REP 3: Ecrou M 22
(Nut M 22)



REP 4: Ecrou M 11
(Nut M 11)



Référence Produit:
(product reference:)

- 1/4 de tour droite = HBA90DPSx000
(1/4 right rotation)
- 1/4 de tour gauche = HBA90GPSx000
(1/4 left rotation)
- 1/2 tour droite = HBADPSx000
(1/2 right rotation)
- 1/2 de tour gauche = HBAGPSx000
(1/2 left rotation)

5 = Rotor Aluminium
6 = RotorComposite

Produit livré avec les écrous correspondants + bague 4mm
(Product supplied with the corresponding nuts + 4 mm ring)

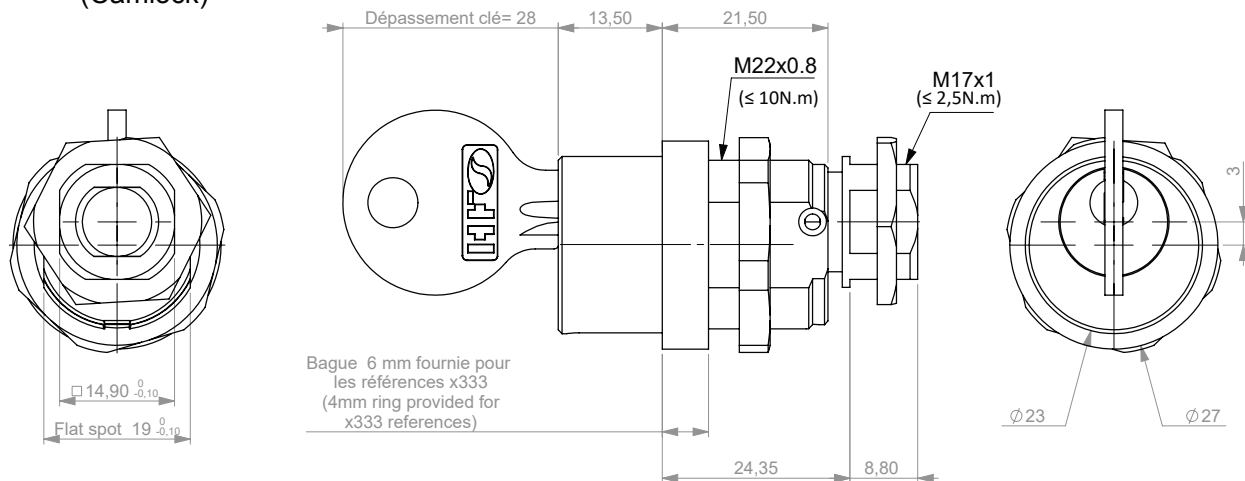
DRAWING

Dimensions: in mm

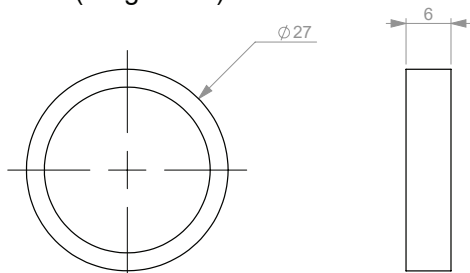
Available as a flat key (RONIS) or star key (PROFALUX)

333 version Camlock

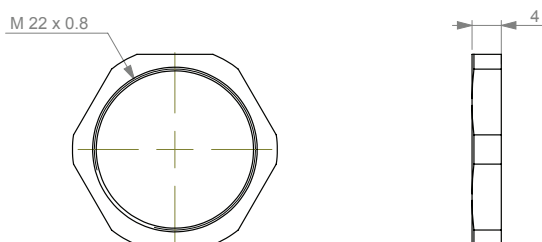
REP 1: Batteuse
(Camlock)



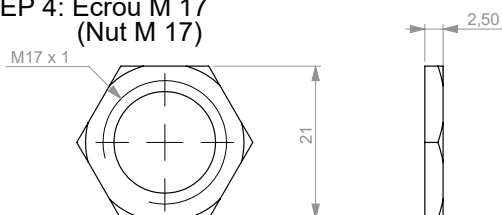
REP 2: Bague 6 MM
(Ring 6 MM)



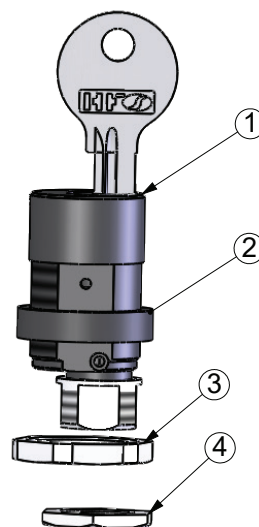
REP 3: Ecrou M 22
(Nut M 22)



REP 4: Ecrou M 17
(Nut M 17)



Produit livré avec les écrous correspondants + bague 6mm
(Product supplied with the corresponding nuts + 6 mm ring)



Référence Produit:
(product reference:)

- 1/4 de tour droite = ABA90Dxxx333
(1/4 right rotation)
- 1/4 de tour gauche = ABA90Gxxx333
(1/4 left rotation)
- 1/2 tour droite = ABADxxx333
(1/2 right rotation)
- 1/2 de tour gauche = ABAGxxx333
(1/2 left rotation)

5 = Rotor Aluminium
6 = Rotor Composite

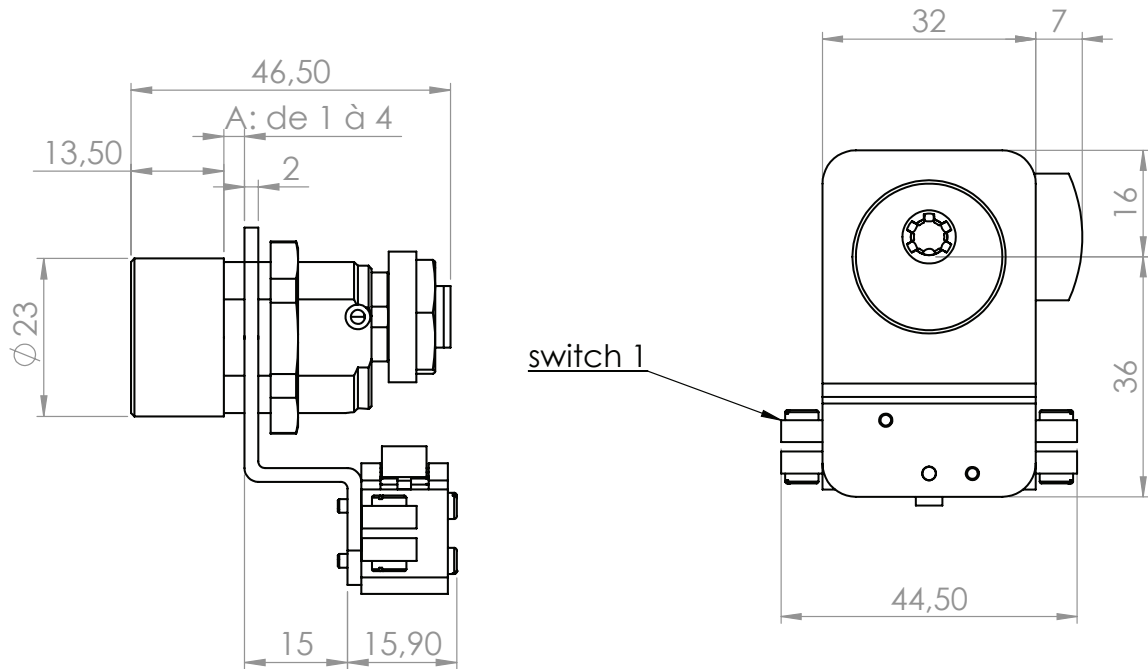
xx = Profile EL,EK,EP,EM,ET,EV
GL,GK,GP,GM,GT,GV

DRAWING

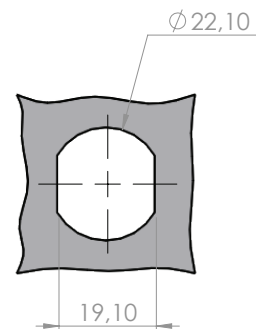
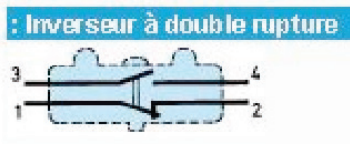
Dimensions: in mm

Available as a flat key (RONIS) or star key (PROFALUX)

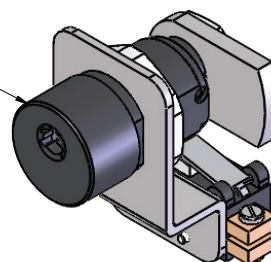
Camlock with a switch



SWITCH CROUZET 831060



Cylindre HFS Clé étoile



ABA/HBA camlock



Part of the
Sentric Group

ORDER INFORMATION

	Cylinder profile	Product type	Rotation	Direction	Key profile	Rotor type	Particularity
Reference							
Example 90° ABA90GEL5000	A	BA	90	G	EL	5	000
Example 180° ABAGEL5000	A	BA		G	EL	5	000

Cylinder profile	A = Flat key H = Star key
Product type	BA = Standard Camlock BC = Camlock with a switch
Rotation	90° ou 180°
Direction	G = Gauche (left) D = Droite (right)
Key profile	Star key = PS 5-piston flat key = EK, EL, EM, EP, ET, EV 6-piston flat key = GK, GL, GM, GP, GT, GV
Rotor type	5 = Aluminium 6 = Composite
Particularity	000 = Standard (M1 1x1) with 2x flats at 9mm centres 003 = Fluokit M24 type 149 = Legrand type (drawing available on request) 225 = 2 switches version 283 = Siemens type (drawing available on request) 331 = Pommier type (drawing available on request) 333 = Schneider type (M17x1) with 15mm square (C15) 352 = 1 switch version in IP55 enclosure

ACCESSORIES

- 4mm spacer ring (if required in addition, ref. D51400200)
- 6mm spacer ring (if required in addition, ref. D51401200)
- M22 nut (if required, ref. D51700200)
- M11 nut (if required, ref. D51701000)
- M17 nut (if required, ref. D51700800)
- Coloured identification ring (ref. D1411000 red, ref. D1411100 green, ref. D1411200 yellow, ref. D1411300 blue)
- Flip cap (ref. D23556)

CONTACTS

Serv Trayvou

1 ter rue du Marais, 93100 MONTREUIL, France

t: +33 (0)1 48 18 15 15 | f: +33 (0)1 48 59 68 50 | e: sales@servtrayvou.com