

KSE Multi Key Powersafe Electrical Switch



The KSE is a multi-key controlled electrical switch designed for machine control circuits. This type of isolator should be used for short term, off load isolation. The unit is supplied for mounting into an existing panel or for surface mounting within its own IP65 rated lockable steel enclosure. It is available in FS or Q type lock portions. The KSE is manufactured from either brass or stainless steel.

OPERATION

Castell dual key access interlocks are used in various applications to control full body access to hazardous areas.

KSE multi key powersafe electrical switch, double key condition

1 Power is on, all keys are trapped



While the power is on, all keys are trapped.

2 Turn and release all keys to switch power off



By turning the keys, the contact condition changes switching the power off. The keys can now be released and taken by the personnel to unlock the doors in the machine area.

3 Power is off, all keys are sequentially released



The power is off until all keys are replaced in the powersafe electrical switch.

Exchange key condition available on application.

USAGE

The KSE powersafe electrical switch is designed to be part of a safety system and is used to isolate the power.



The KSE powersafe electrical switch is not designed for security purposes.

No hazardous substances were used in the manufacture of this product.

INSTALLATION

Back of panel units should be mounted to a flat surface. Panel and surface mount using suitable fasteners (please refer to drawing on page 4 for more details). The lock face should be sealed to the panel for ingress protection.

Cables should be connected to the switch in accordance with the applicable wiring diagrams. Ensure that the unit is bonded for earth continuity (please refer to drawing on page 4 for installation details).



IMPORTANT: The interlock should be mounted using anti-tamper fasteners to prevent unauthorised removal.



The KSE range of switches must be installed by a competent and qualified person who has read and understood these instructions. Please retain this document in your technical file.



The manufacturer should be consulted when use in a corrosive environment is planned.

MAINTENANCE

Periodic visual checks should be carried out by the site manager / safety officer.

Do not lubricate lock barrel with oil or grease, use CK dry powder graphite if necessary.



In case of defects being detected please contact your nearest Castell Support Department for further actions. Please see Contact section for contact details.



The interlock must be inspected every 6 months. Safety checks should include ensuring the keys and switches operate in the correct safety operating conditions (see page 1).

TECHNICAL DATA

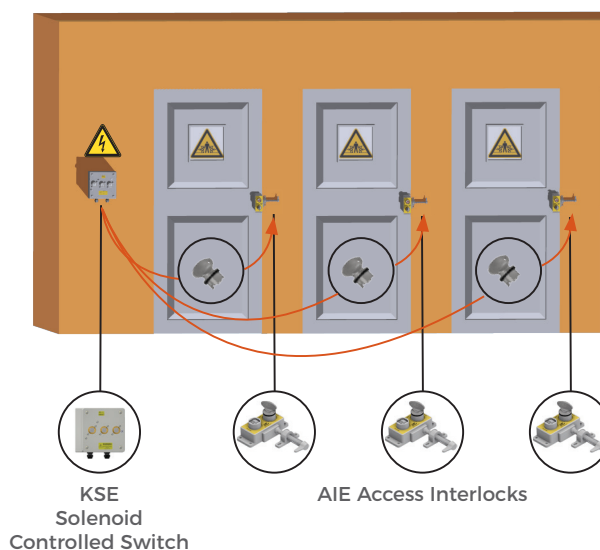
Temperature rating	-25°C ice free to 55°C
Type of mounting	1/4" or M6
Weight	KS20: Front of board mount = 0.8 kg / back of board mount = 0.6 kg
	KS32: Front of board mount = 0.8 kg / back of board mount = 1 kg
	KS63: 1.5 kg
Material	Brass/Stainless steel
Control isolation	20A, 32A, and 63A options available
Switch approvals	CCC, UL, CSACCC, UL, CSA
MTTF Certification	Available on request
B10d	2,500,000
Shock & vibration	EN 60068
Switch standards	IEC 60947
Switch protection	IP 65, for enclosed unit only
Switch rating	690 V, 20 amps (standard for KSE20)
PL rating	PLe

APPLICATION

The KSE Powersafe safety component is used as part of an integrated safety system.

A typical application of KSE powersafe electrical switch is machine guarding. It is usually used in combination with an access interlock such as the AI for part body access or an AIE access interlock with an exchange key for full body access control.

A typical system will isolate machinery and control access to hazardous areas. Turning the primary key in the KSE unit changes the condition of the electrical supply to the machine to a safe condition and enables the release of the keys. These keys are then used to unlock the AIE double key access interlocks. The guards can only be opened when the electrical supply has been switched into a safe condition and only once all the keys have been returned to the KSE interlock can the machine be restarted.



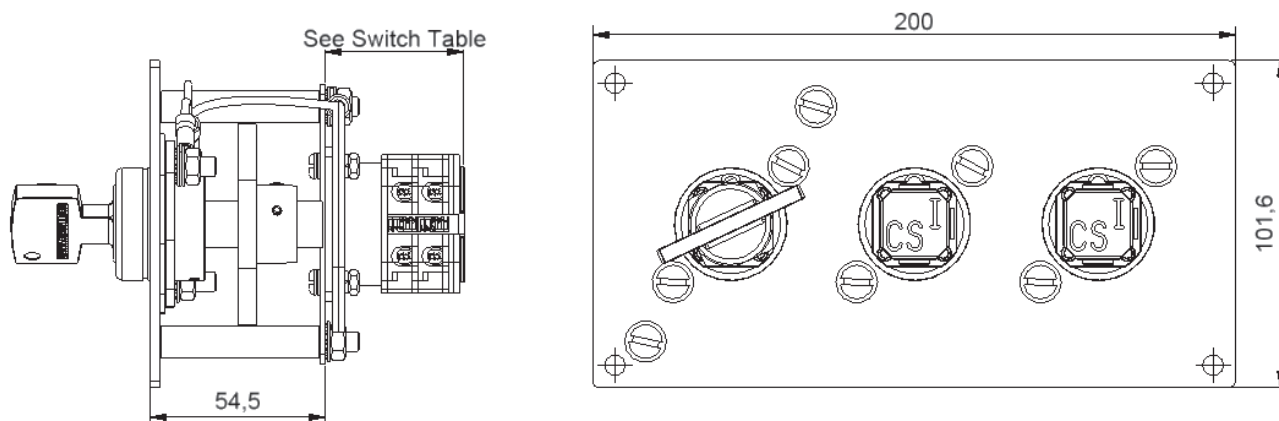
KSE Multi Key Powersafe Electrical Switch

DRAWING

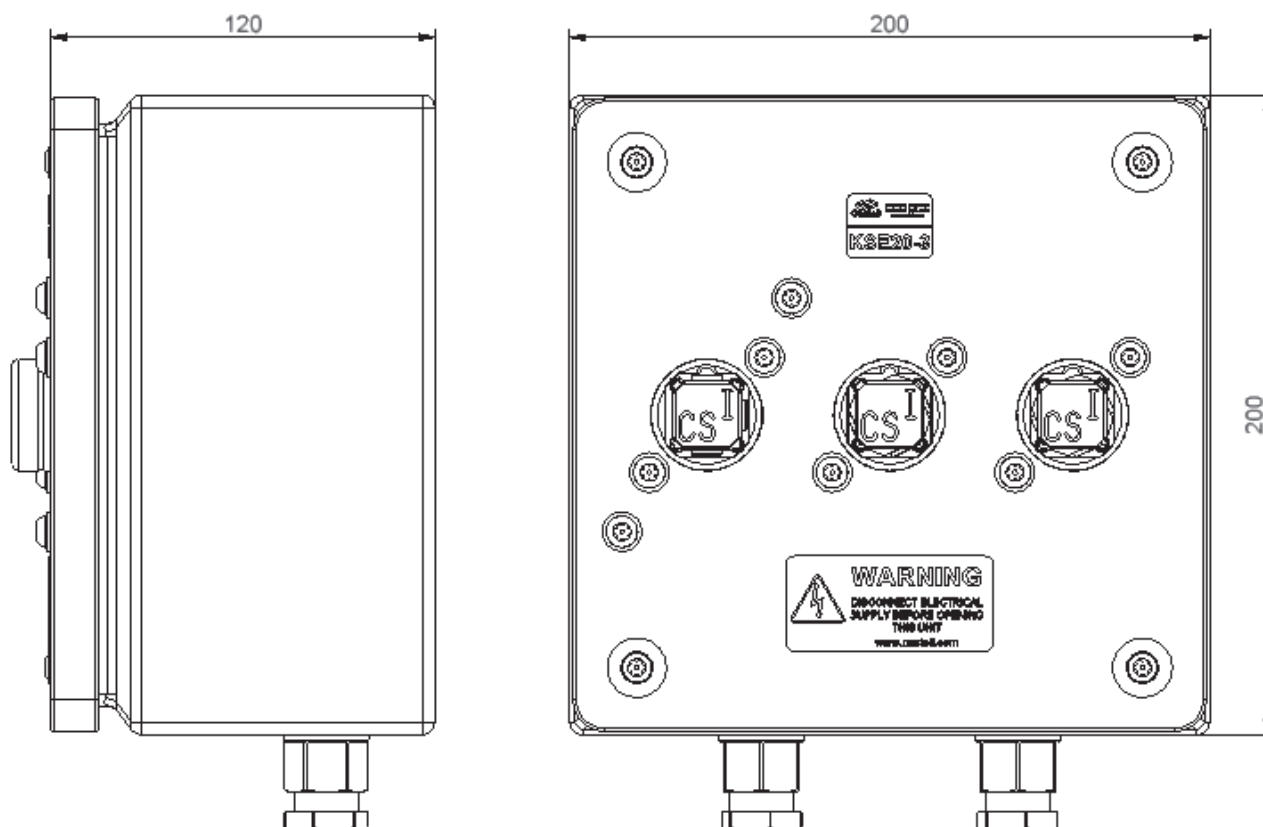
Dimensions: in mm

Note: For safe mounting, use security screws

KSE, panel mount (3 lock portions)



KSE, surface mount (3 lock portions)

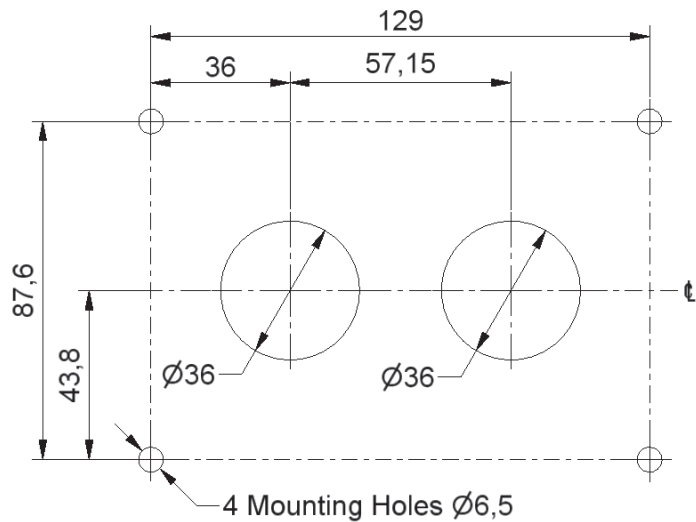


DRAWING

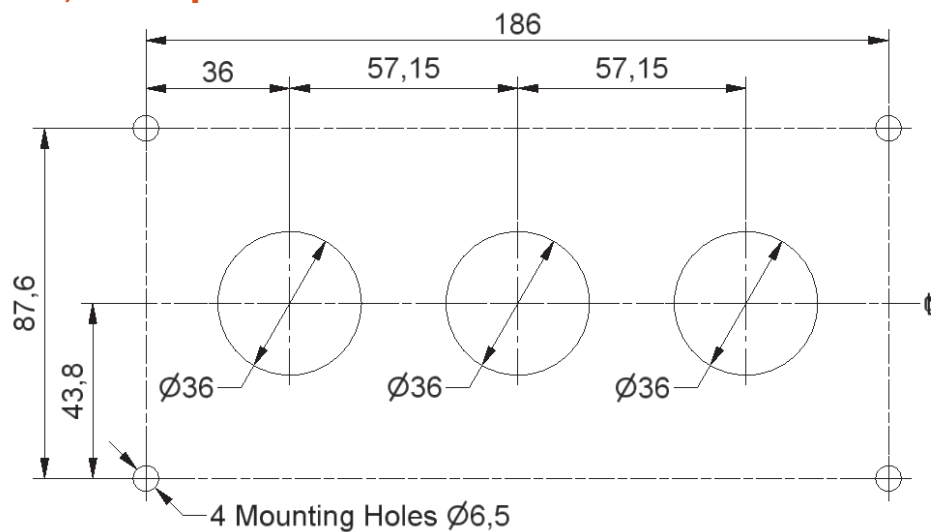
Dimensions: in mm

Note: For safe mounting, use security screws

KSE, 2 lock portions

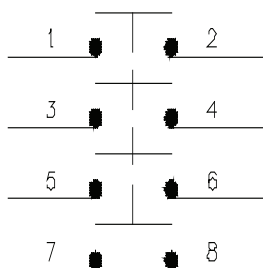


KSE, 3 lock portions

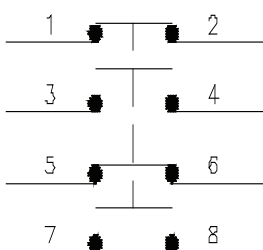


WIRING DIAGRAM

Key Free, Switch off





Key Free, 2 NO/2NC



ORDER INFORMATION

	Component type	1	2	3	4	5	6	7	8	
Part number	KSE									
Example	KSE	20	FS	B	1S	P	D	C/O	4	
		9	A1	Primary key symbol (double key condition)			10	B1	Secondary key symbol (double key condition)	

1	Isolation	20 amps (standard)
2	Lock portion type	FS ⁽¹⁾ / Q ⁽¹⁾
3	Material	B = Brass / S = Stainless steel
4	Secondary lock portion(s) Secondary lock portions are provided for personnel keys, primary lock portion for the isolation key	1S / 2S / 3S / 4S / 5S or 6S = 1 / 2 / 3 / 4 / 5 or 6 secondary lock portions respectively
5	Mounting	P = Panel mount (back of board) / F = Front of board mount, with enclosure
6	Key condition	E = Exchange key condition / D = Double key condition (simultaneous removal of all keys)
7	Contacts arrangement in normal position	C/O = no/nc arrangement (contacts closed/opened) / CC = nc arrangement (all contacts closed)
8	Number of contacts	4 / 6 (standard)
9	Lock portion symbol: Primary key (for double key condition)	FS ⁽¹⁾ up to 3 characters / Q ⁽¹⁾ up to 6 characters
10	Lock portion symbol: Secondary key (for double key condition)	FS ⁽¹⁾ up to 3 characters / Q ⁽¹⁾ up to 6 characters

(1)	FS - Lock type Up to 3 characters	Q - Lock type Up to 6 characters
		

Special construction available upon enquiry

CONTACT INFORMATION

Castell Safety

The Castell Building, 217 Kingsbury Road, London, NW9 9PQ UK
t: +44 (0)20 8200 1200 | f: +44 (0)20 8205 0055 | e: sales@castell.com