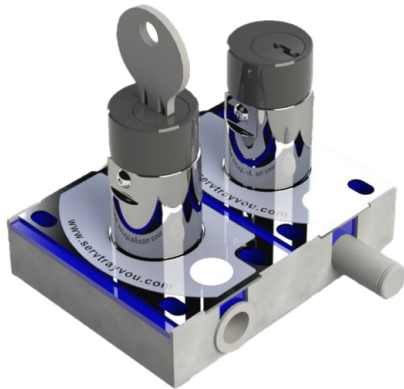


AVE/HVE boltlock



Part of the
Sentric Group



The boltlock is a locking device that allows the controls of circuit breakers, switches, disconnectors or earthing switches to be locked in a certain position. The lock is used to control the rotation or movement of a handle connected to the actuator.

This lock is available with aluminium or composite cylinder, making it ideal for energy sector applications.

Under no circumstances should this lock be used to secure an access. For this, please refer to the Access Lock data sheet.




Trapped Key
Interlocks



ENERGY

USAGE

The boltlock is used as part of a safe guarding system.

 This lock is not designed to secure access to a safe, external access to a building, for doors or access gates.

INSTALLATION

 A safety lock must be fitted with appropriate fixings (not supplied with the lock).

Important:

To prevent unauthorised removal, the lock must be fitted with a stainless steel rivet or stainless steel security screws and secured with a threadlocker.

Tightening torque: 5Nm

Drilling of the mounting plate (when the lock is mounted from the rear): 4 holes $\varnothing 5,3$ + 1 hole $\varnothing 25$ per cylinder.

The lock must be installed by a competent and qualified person.

MAINTENANCE

No maintenance of the product is recommended. However, to improve its operation and possibly increase its life span, adding "Xenium micronised graphite powder" to the lock is accepted. Any other product is prohibited

TECHNICAL DATA

Weight	Starting at 220 gr
Material	- Cylinder - Rotor 5000 : 6064-T9 aluminium / Rotor 6000 : Grivory GVX-65h composite Stator : 6064-T9 aluminium - Serrure - AISI 304L stainless steel
Product finishing	Anodised black (cylinder)
Type of Mounting	Front or back mounting with suitable fixings (flush)
Temperature rating	-35°C / +120°C for the lock -35°C / +105°C for the switch
Salt spray tolerance	240h
Watertightness	IP4X-lock IP67-switch
IK rating	IK08
Vibrations	0.7mm @10-55HZ 1 oct/min in 3 axes
Retentive strength	250N-key 600N-bolt
Lifespan	1000000 cycles*
B10d	200000 cycles*
DC	90%
Compliance	- CE Marking Directive 2001/95/EC - Machinery Directive 2006/42/EC - Low Voltage Directive 2014/35/EU (with a switch)
ROHS	Certificate available on our website, Resource Centre section
REACH	Certificate available on our website, Resource Centre section
Conflict Minerals Declaration	Certificate available on our website, Resource Centre section

*Aluminium rotor version

OPTIONS

- Flat key (RONIS type) or star key (PROFALUX type)
- Up to 3 cylinders
- Rotor type (aluminium, composite or aluminium small series)
- Electrical switch (changeover)

APPLICATION

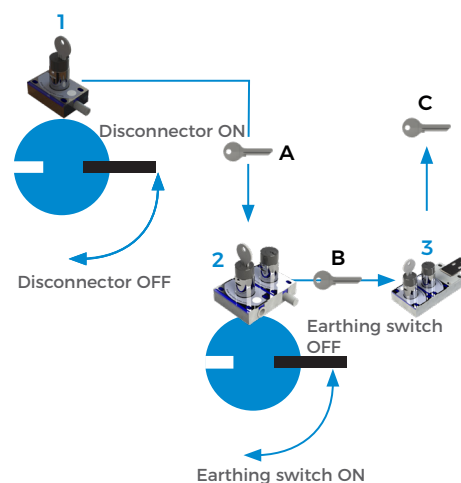
The system includes a bolt on the control device for the machine's power supply, another Hercules lock on the electrical earthing system controller and a Hercules access lock for entering the hazardous area. Under normal machine operation (motor powered), the power key A is trapped in the Hercules lock on the machine disconnecter and the access door to the hazardous area is closed and locked.

To access the hazardous area:

1. The operator cuts the power to the machine allowing the release of the power key A
2. The power key A is then trapped in the Hercules lock of the earthing switch allowing the earthing of the electrical circuit. The operator can then release the access key B, thus locking the earthing switch in the closed position and ensuring that earthing cannot be interrupted.
3. The access key B is then trapped in the Hercules access lock releasing the personal key C and the strike plate allowing access to the area.

The personal key C is kept by the operator during operation to protect against accidental locking and starting.

4. To put the machine back into service, the operator follows the same steps in reverse order



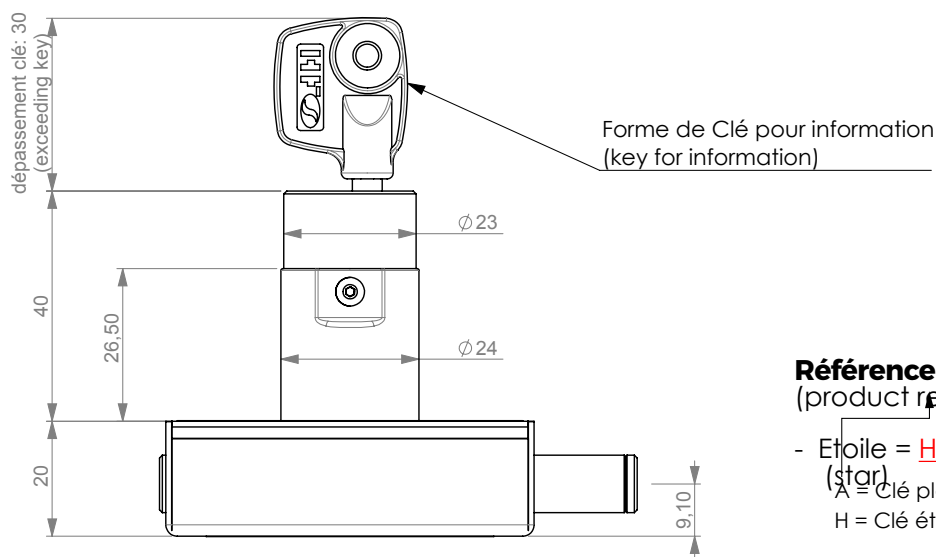
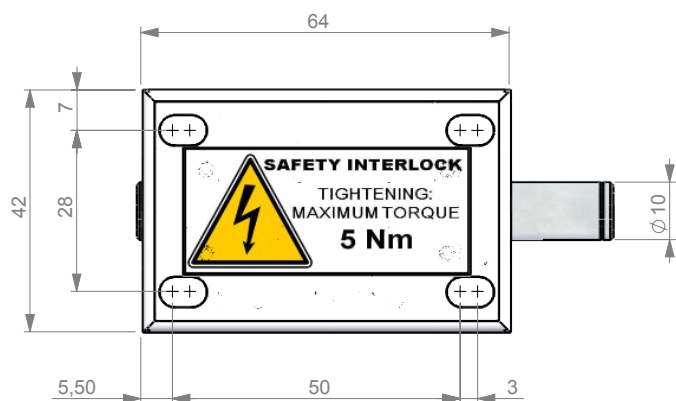
DRAWING

Dimensions: in mm

Available as a flat key (RONIS) or star key (PROFALUX)

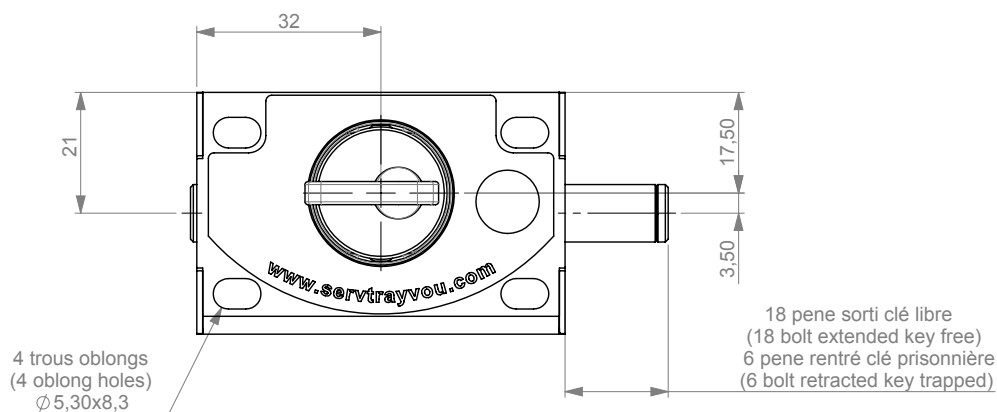
Note: For safe mounting, use security screws.

Standard single-entry boltlock



Référence Produit avec clé type: (product reference following key type:)

- Etoile = HVE11XPS5000 (star)
- A = Clé plate
- H = Clé étoile
- 5 = Rotor Aluminium
- 6 = Rotor Composite
- X = Fonction C ou D



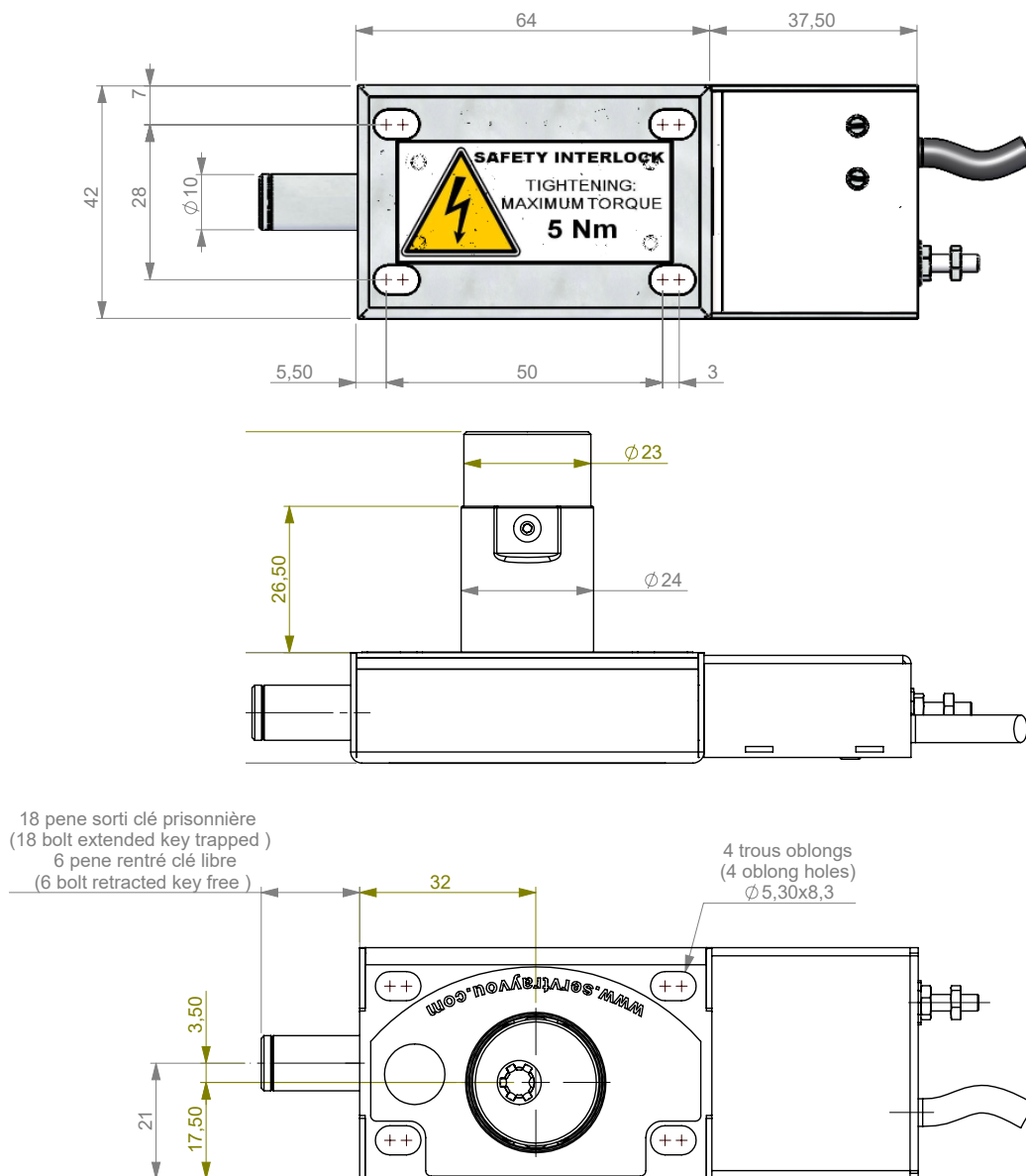
DRAWING

Dimensions: in mm

Available as a flat key (RONIS) or star key (PROFALUX)

Note: For safe mounting, use security screws.

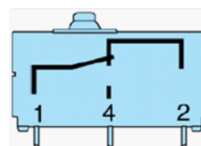
Single-entry boltlock with a switch



Caractéristiques du contact inverseur: (Characteristics of the micro-switches)

reference: CROUZET 83186

- cable lg 1.2m, section 0.5mm²:
 - * 1 Noir (black) = Commun (common)
 - * 2 Gris (grey) = NF (NC) clé libre
 - * 4 bleu = NO clé prisonnière
- calibre sous 250VCA: (ratings at 250VCA)
 - * Nominal: 6A
 - * Thermique: 7.5 (Thermal)
- IP67
- Température d'utilisation : -40°C / +105°C (operating temperature)



AVE/HVE boltlock



Part of the
Sentric Group

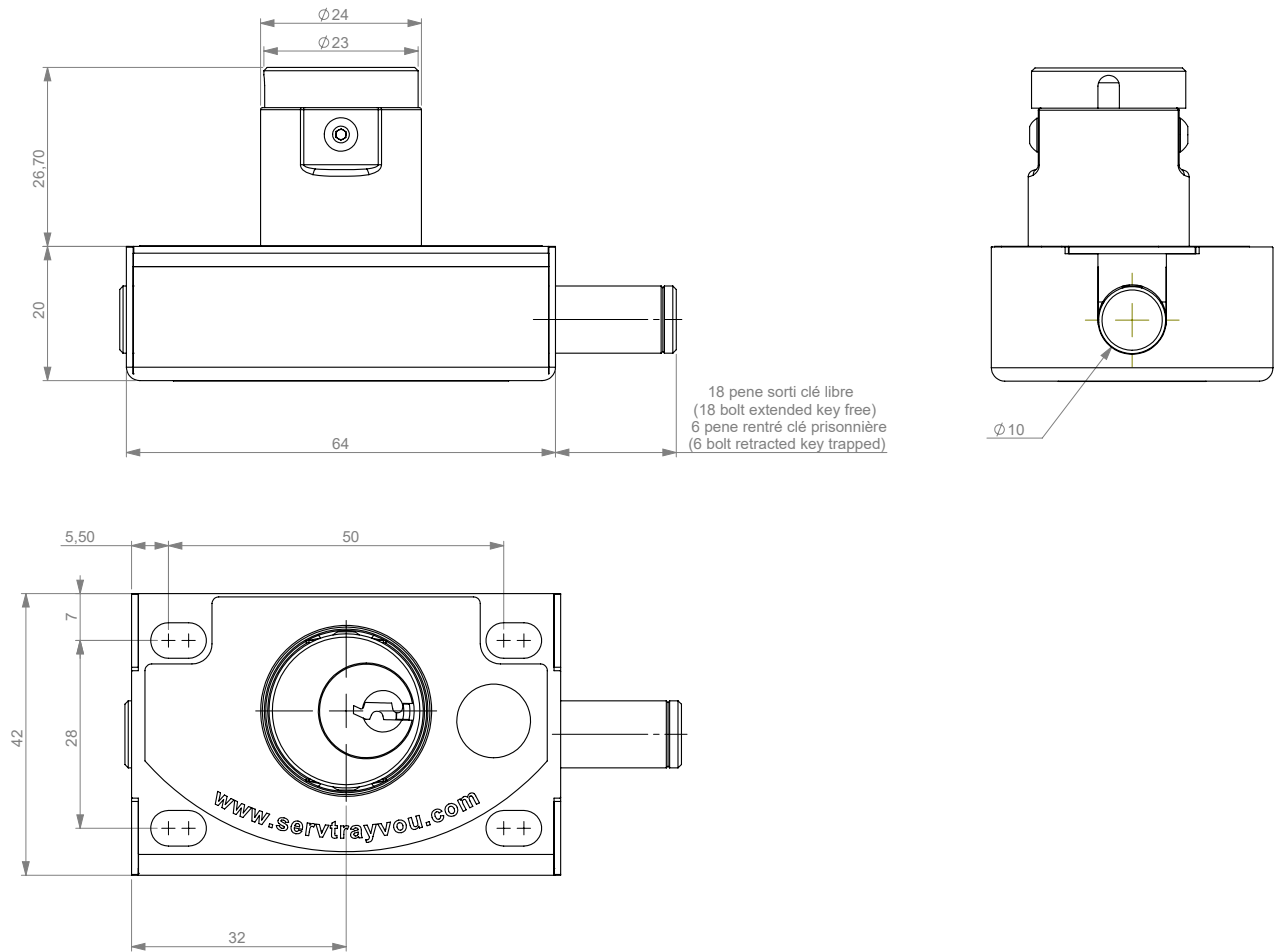
DRAWING

Dimensions: in mm

Available as a flat key (RONIS) or star key (PROFALUX)

Note: For safe mounting, use security screws.

Switch boltlock with 1 entry



AVE/HVE boltlock



Part of the
Sentric Group

ORDER INFORMATION

	Cylinder profile	Product type	N° of cylinder	N° of bolts	Function	Key profile	Rotor type	Particularity
Reference								
Example	A	VE	1	1	C	EL	5	000

Cylinder profile	A = Flat key H = Star key
Product type	VE = Standard boltlock VC = Boltlock with a switch
N° of cylinder	From 1 to 3 cylinders
N° of bolts	1 or 2 bolts
Fonction	The function determines the key position (in or out). See FUNCTION table
Key profile	Star key = PS 5-piston flat key = EK, EL, EM, EP, ET, EV 6-piston flat key = GK, GL, GM, GP, GT, GV
Rotor type	5 = Aluminium 6 = Composite 7 = Small series
Particularity	000 = Standard 004 = 35mm bolt length 005 = 35mm bolt length and 15mm diameter 225 = 2 switches version *** = Other lengths, threading, see options below or contact us

N° entries	N° bolts	Function	Principle	N° entries	N° bolts	Function	Principle
1	1	C		2	2	H	
1	1	D		2	2	J	
2	1	F		3	1	F	
2	1	H		3	1	H	
2	1	J		3	1	J	
2	1	K		3	1	K	
2	1	L		3	1	L	
2	1	M		3	1	M	
2	1	N					

Legend		free key
		trapped key
		bolt out
		bolt in
		switch position for switch version

AVE/HVE boltlock



Part of the
Sentric Group

ACCESSORIES

- Flip cap (ref. D23556, drawing available on request)
- 35mm bolt
- 35mm bolt and 15mm diameter
- Threaded bolt

	Z-value			
	M3x7	M4x9	M5x12	M6x13
At the front of the bolt	x327	x328	x017	x024
At the back of the bolt	x284	x185	x087	x319

X = 5 if aluminium rotor

X = 6 if composite rotor

CONTACTS

Serv Trayvou

1 ter rue du Marais, 93100 MONTREUIL, France

t: +33 (0)1 48 18 15 15 | f: +33 (0)1 48 59 68 50 | e: sales@servtrayvou.com